



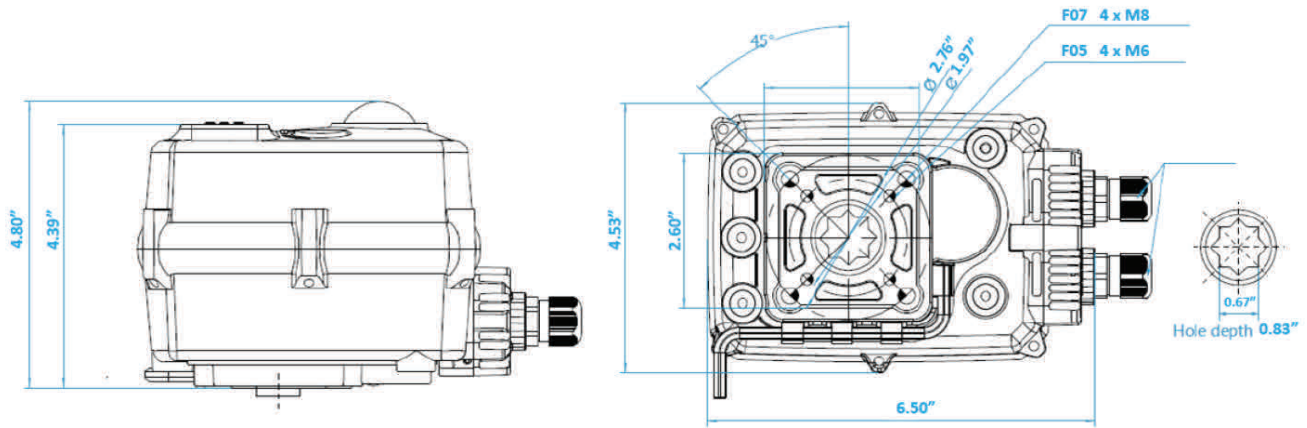
B84 BASIC FAILSAFE 708 in.lbs



Model: B84 708 in.lbs BASIC FAILSAFE ELECTRIC ACTUATOR

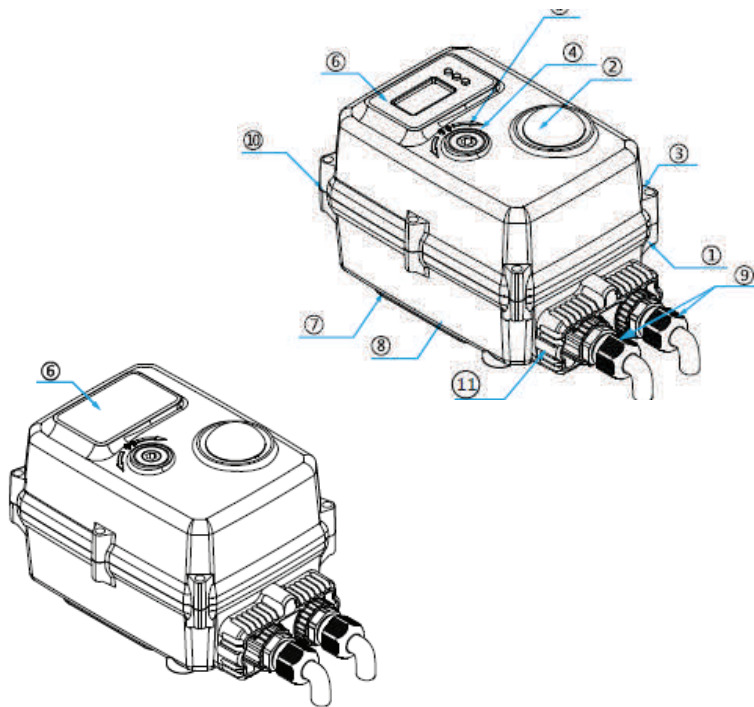
	AC	DC
Rated Voltage	AC230V	24VDC
Voltage Range	AC 95-265V	DC22-32V
Consumption	15W run, 1.6W hold	15W run, 1.5W hold
Peak current	0.52A @ 5ms 230V	5A for 5ms 24VDC
Fuse	2A	10A
Maximum Break Torque in.lbs	796 / 90 Nm	796 / 90 Nm
Run & Reseat Torque in.lbs	708 / 80 Nm	708 / 80 Nm
Manual operation	Yes, by hexagonal wrench (supplied in clip) when no power is being applied	
Run time	≈ 10 sec	≈ 10 secs
STANDARD FEATURES:		
Operating Frequency	AC not continuous, 75% duty cycle but recommend allowing ≥1 min between cycles. DC is continuous.	
Position Confirmation	Mechanically driven dome style visual 2 color indicator	
Mounting Restriction	None, it can be mounted at any angle. Leave space for manual operation and electrical connection.	
End Position Indication	Micro-switches operated by adjustable internal cams , set slightly ahead of the final motor stop position.	
ISO:5211	F05 & F07	
Working Angle	Factory set at 90° ±2°, maximum angle of rotation 360°	
Failsafe Function	Internally fitted industrial battery, charged when power applied. Normally Closed, Open or Stay Put on power loss.	
Female Drive	.67" (17mm) octagon x .83" (21mm) deep	
Ingress Protection	IP67	
Max Media Temperature	176° F	
Ambient Temperature	-4° F to 176° F	
Non-operating Temperature	-40° F to 176° F	
Ambient Humidity	5-95% RH non-condensing	
Explosion Proof	Actuator is not explosion proof and should not be placed in hazardous areas.	
Housing	Plastic (ABS) cover	
Weight	Standard ABS housing 4.85lbs	





MATERIALS

B84 708 in.lbs BASIC ON-OFF FAILSAFE ACTUATOR



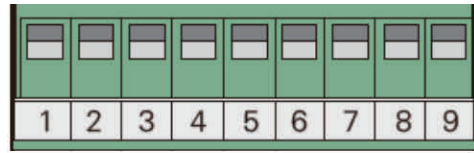
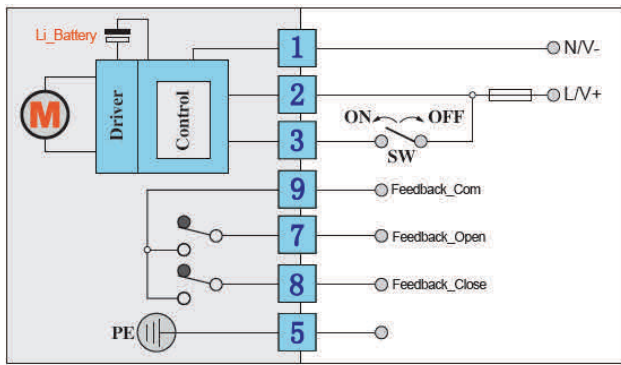
No	PART	MATERIAL
1	Housing	ABS
2	Indicator	Transparent AS
3	Cover screws	304SS
4	Override drive	304SS
5	Seal	NBR
6	Screen	OLED
7	Seal	NBR
8	Connector	Plastic
9	Cover seal	NBR
10	Seal	NBR
11	Label	PVC
12	Allen key	Tool steel
13	Terminal box	Heatproof ABS
14	Output Drive	304SS

PART NUMBERS

B84 708 in.lbs BASIC ON-OFF FAILSAFE ACTUATOR

Model	Voltage	Housing	Heater	Control of on-off function
B84-	4 DC 24V	p ABS Plastic	H 5W/24kΩ	B SPDT. Switchable +ve/ live Volt free end of travel confirmation
	5 AC 95-265			

SPDT Wiring Type 'B'



1	2	3	4	5	6	7	8	9
Blue	Pink	Black	Orange	Earth	Purple	Grey	Brown	White

Volt free aux contacts

NOTE: ACTUATORS SHOULD HAVE DEDICATED POWER AND CONTROL