

# **BASIKS**

## **Universal Butterfly Valve**

### **Features**

**Direct Actuator Mounting Pad**

**Lever Handle**

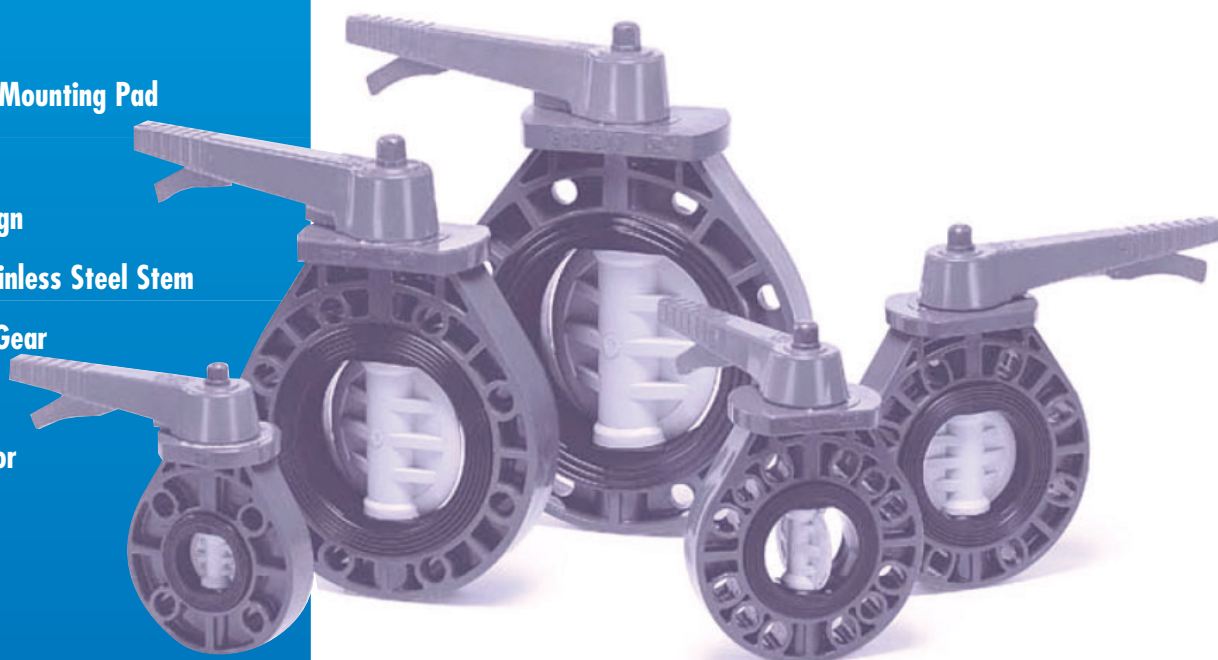
**Full Flange Design**

**410 or 316 Stainless Steel Stem**

**Stainless Steel Gear**

**Multi-point Seal**

**Position Indicator**



**Available with electric or  
pneumatic actuation packages.**

### **Design & Materials**

Valve wafer body is PVC, disc is polypropylene. Seats (liners) and O-rings are choice of EPDM or FKM. Non-wetted Parts: Oil seal is EPDM. Stem (410 or 316), gearing, spring, lever and pin (304) are stainless steel; handle, handle lever, and other handle parts are ABS; handle insert is FC0208. Positioner is PVC.

Maximum working pressure is 150 PSI; actual maximum pressure varies by application based on temperature, flow rate, and media.

For assistance, or other body and disc materials, please consult factory.



**BASIKS**

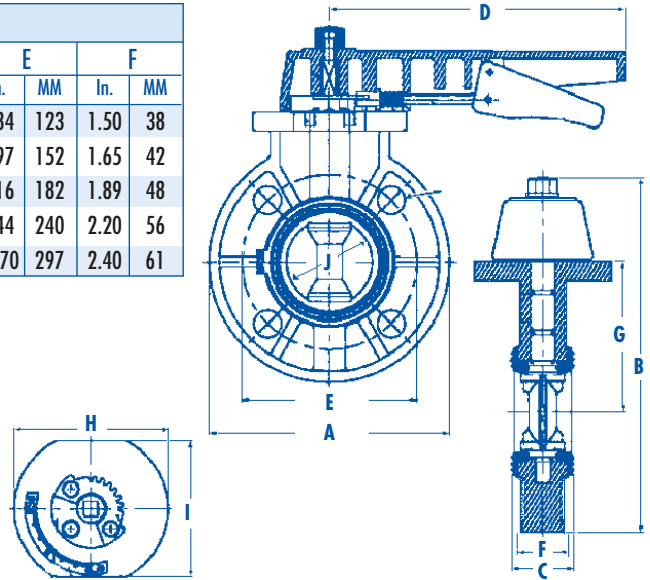
**888-689-8258**

[www.basiks.us](http://www.basiks.us)  
[info@basiks.us](mailto:info@basiks.us)

## Dimensions

Series BU575													
Pipe Size	No. Holes	A		B		C		D		E		F	
		In.	MM	In.	MM	In.	MM	In.	MM	In.	MM	In.	MM
2"	4	6.46	164	9.92	252	1.61	41	8.03	204	4.84	123	1.50	38
3"	4	7.72	196	11.18	284	1.77	45	8.03	204	5.97	152	1.65	42
4"	8	8.85	225	12.60	320	2.00	51	9.96	253	7.16	182	1.89	48
6"	8	11.26	286	16.02	407	2.31	54	11.69	297	9.44	240	2.20	56
8"	8	13.54	344	18.50	470	2.52	64	11.69	297	11.70	297	2.40	61

Series BU575									
Pipe Size	No. Holes	G		H		I		J	
		In.	MM	In.	MM	In.	MM	In.	MM
2"	4	4.21	107	4.13	105	3.66	93	2.16	55
3"	4	4.84	123	5.00	127	3.74	95	3.07	78
4"	8	5.49	139	5.27	134	3.94	100	3.94	100
6"	8	7.00	178	6.69	170	3.98	101	5.98	152
8"	8	8.35	212	7.52	191	4.31	109	7.87	200



## Torque Values

Pipe Size	W/O Pressure (Kgf.m)		Pressure at 50 PSI (Kgf.m)		Pressure at 100 PSI (Kgf.m)		Pressure at 150 PSI (Kgf.m)	
	Open	Close	Open	Close	Open	Close	Open	Close
2"	0.80	0.80	0.80	1.00	0.80	1.00	1.00	1.00
3"	2.50	2.50	3.00	3.00	2.50	2.50	3.00	3.00
4"	2.50	3.00	3.00	3.00	3.00	3.00	3.00	3.00
6"	8.00	9.00	8.00	8.00	7.50	8.00	6.00	7.00
8"	10.00	11.00	11.00	11.00	10.50	10.50	9.50	9.50

## Cross Reference

BASIKS BU575 meets the specifications of the following competitive butterfly valves:

BU BYB 142 148 242 568 575

Cross-referenced valves may differ dimensionally.

## Ordering Information

Pipe Size	Part Numbers	
	EPDM Seal	Viton Seal
2"	BU575-200EP-PP-PV	BU575-200V-PP-PV
3"	BU575-300EP-PP-PV	BU575-300V-PP-PV
4"	BU575-400EP-PP-PV	BU575-400V-PP-PV
5"	BU575-500EP-PP-PV	BU575-500V-PP-PV
6"	BU575-600EP-PP-PV	BU575-600V-PP-PV
8"	BU575-800EP-PP-PV	BU575-800V-PP-PV

Part numbers shown have PVC body and polypro disc. For other materials, combinations, and elastomers, consult factory.



**888-689-8258**

www.basiks.us info@basiks.us

A Value Line by Plast-O-Matic Valves, Inc. • 1384 Pompton Ave., Cedar Grove, NJ 07009 USA

02/18