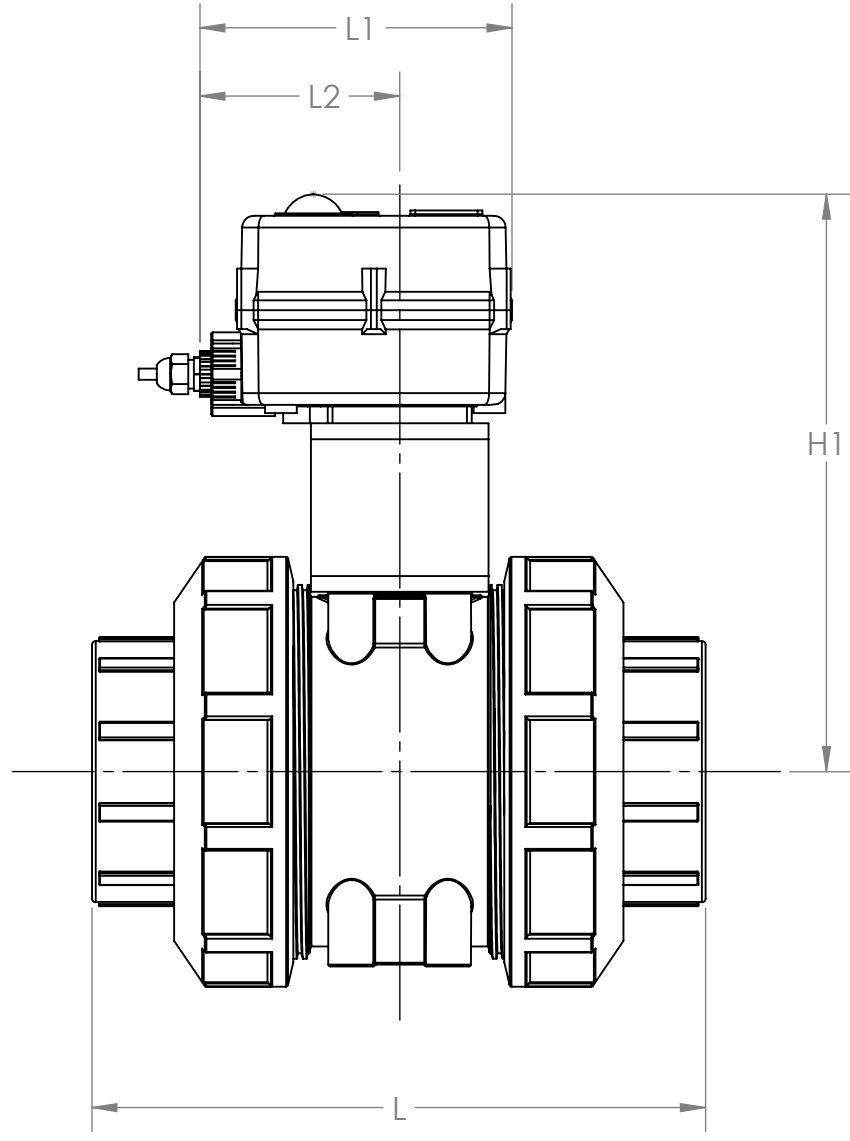
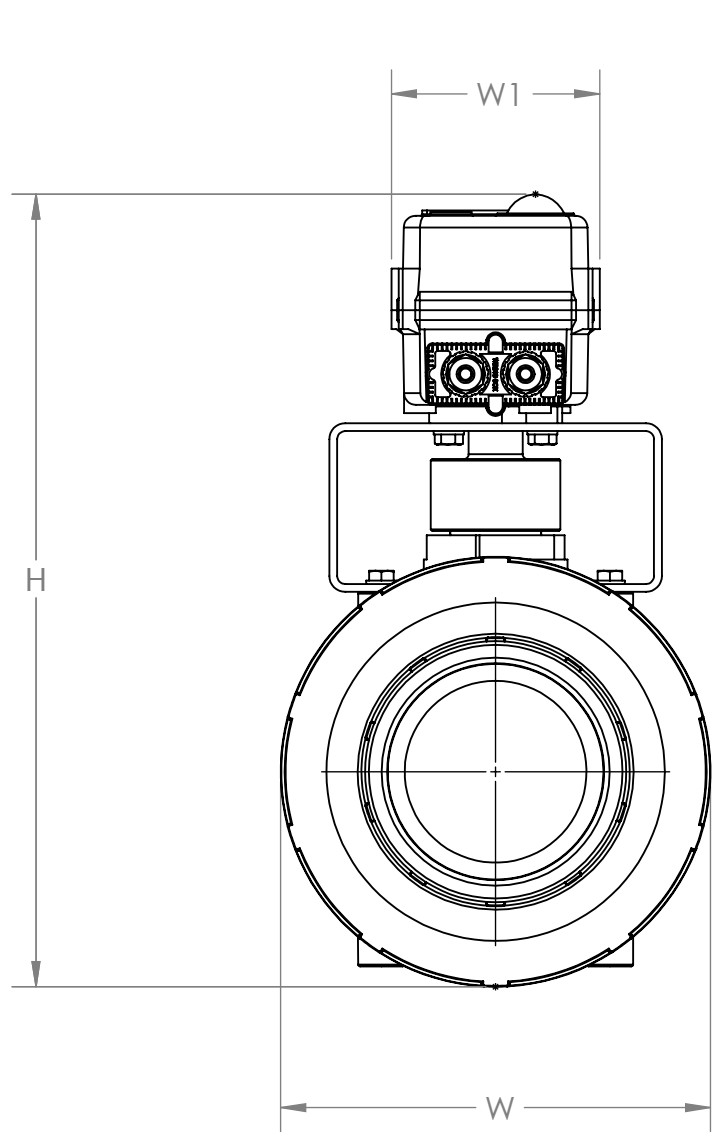


REVISIONS				
REV.	ECN	DESCRIPTION	DATE	APPROVED
A		RELEASED FOR PRODUCTION	XX/XX/15	XX



MODEL	SIZE		L		L1		L2		H		H1		W		W1	
	IN.	DN	IN.	MM.	IN.	MM.	IN.	MM.	IN.	MM.	IN.	MM.	IN.	MM.	IN.	MM.
EBT646-300	3"	80	10.9	276.9	6.5	165	4.2	106.7	15.0	381	11.2	284.5	7.2	182.9	4.5	115
EBT646-400	4"	100	12.8	325.12	6.5	165	4.2	106.7	16.5	419.1	12.0	304.8	8.9	226.1	4.5	115

PROPRIETARY AND CONFIDENTIAL
 THE INFORMATION CONTAINED IN THIS DRAWING IS THE SOLE PROPERTY OF PLAST-O-MATIC VALVES (POM). ANY REPRODUCTION IN PART OR AS A WHOLE WITHOUT THE WRITTEN PERMISSION OF PLAST-O-MATIC IS PROHIBITED.

	NAME	DATE
DRAWN BY:	M.ZWERIN	6/2/2017
CHECKED BY:		
MATERIAL:		
FINISH:		
N/A		
SCALE: 1:4	SHEET 1 OF 1	

PLAST-O-MATIC
 VALVES, INC.

TITLE:
 3" -4" DIMENSIONS

SIZE	DWG. NO.	REV
B	EBT646-300-400 DIM	A