

BASIKS

Electrically Actuated Butterfly Valves

Standard Actuator Features

- Dome style visual position indicator
- 2 x End of travel confirmation switches for remote indication
- Emergency manual override
- CE Marked, IP67 ingress protection
- Thermally protected motor
- Standard on-off function with optional failsafe or high speed available

Smart Actuator Features

- Digital position sensing
- Modulating, High-speed and failsafe options
- OLED display
- Programmable features (adjustable features)
- Local Control (Only with power supplied)



PVC butterfly valves with compact actuators
 AC/DC 95V-265V • AC/DC 24V • DC 24V
 AC 24V / 110V/230V

Design & Materials

High performance brushless actuator motor with overload/overheat protection. Actuator housing is constructed of ABS and is IP67 rated. ISO drive and mounting unit are aluminum. Mounting fasteners are stainless steel.

Valve lug body is PVC, disc is polypropylene. Seats (liners) and O-rings are choice of EPDM or FKM. Non-wetted Parts: Oil seal is EPDM. Stem (410 or 316), gearing, spring, lever and pin (304) are stainless steel; handle, handle lever, and other handle parts are ABS; handle insert is FC0208. Positioner is PVC.

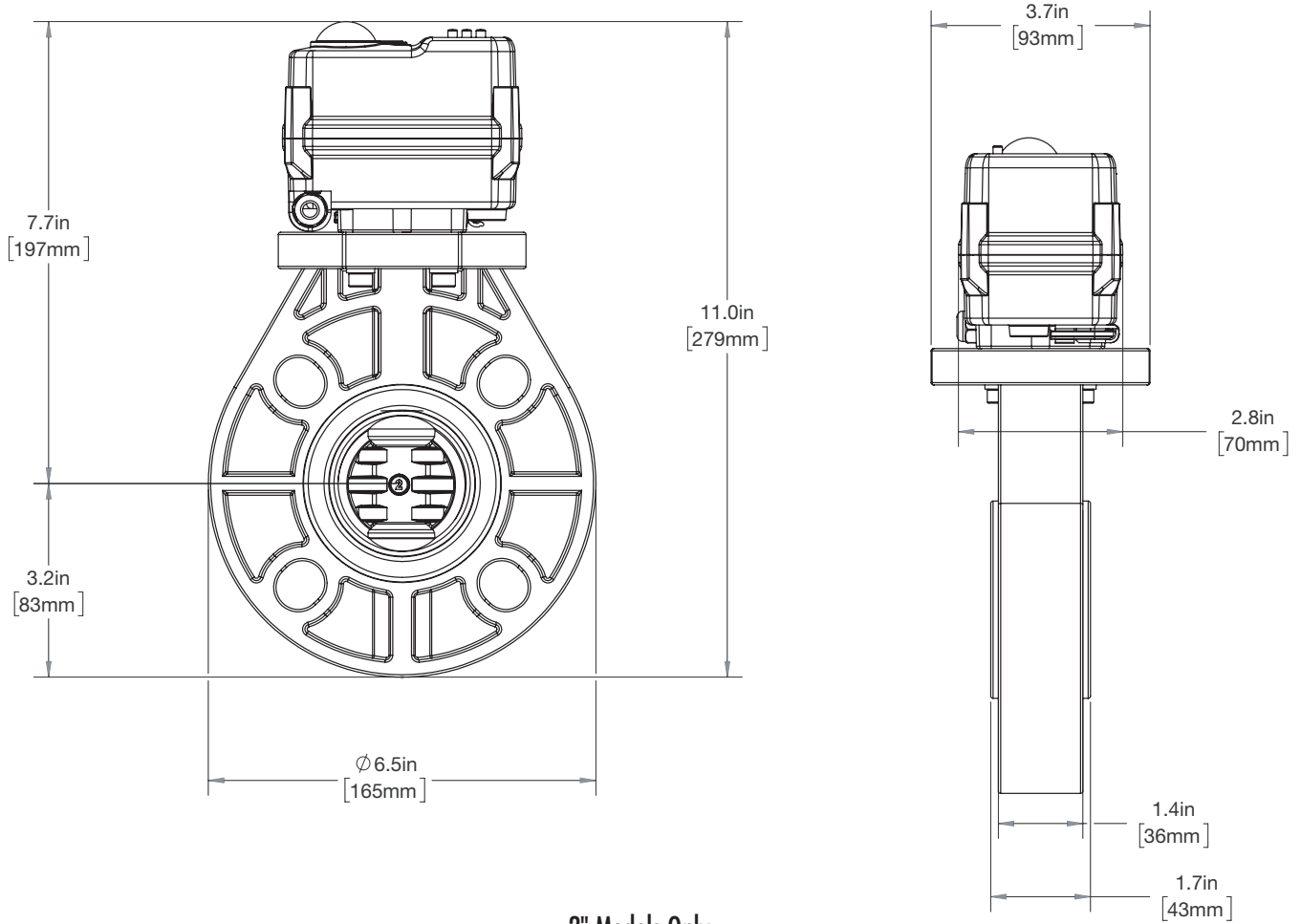
Maximum working pressure is 150 PSI; actual maximum pressure varies by application based on temperature, flow rate, and media. For other materials consult factory.



BASIKS

888-689-8258

www.basiks.us
 info@basiks.us



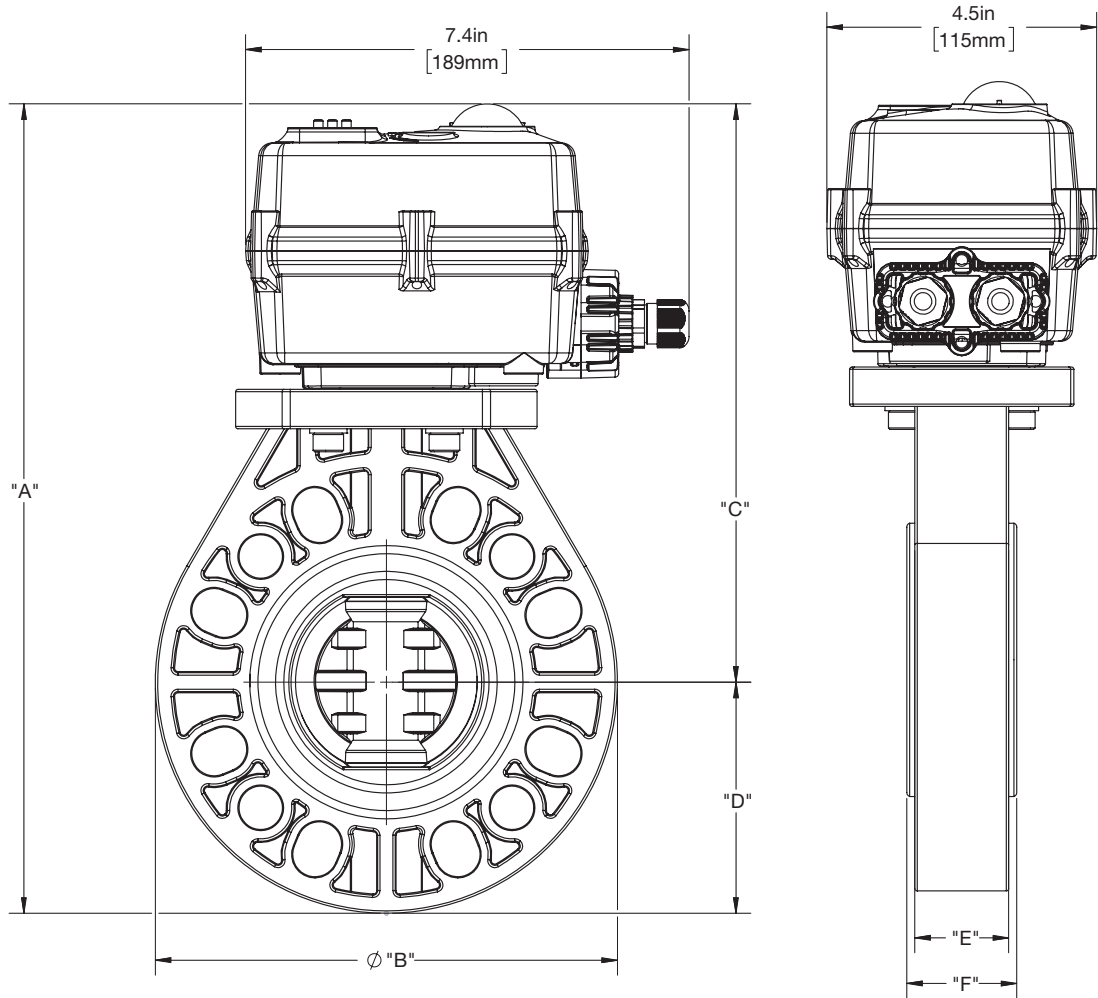
2" Models Only
See pg. 3 for larger sizes



888-689-8258

www.basiks.us info@basiks.us

A Value Line by Plast-O-Matic Valves, Inc. • 1384 Pompton Ave., Cedar Grove, NJ 07009 USA



3" - 6" Models
See pg. 2 for 2" dimensions

MODEL	EBU DIMENSIONS											
	"A"		"B"		"C"		"D"		"E"		"F"	
	in.	mm	in.	mm	in.	mm	in.	mm	in.	mm	in.	mm
EBU300 (3")	13.6	345	7.8	197	9.7	247	3.9	99	1.6	40	1.8	47
EBU400 (4")	14.8	375	8.9	225	10.3	262	4.4	113	1.9	48	2.1	53
EBU500 (5")	16.1	409	10.0	254	11.1	282	5.0	127	2.0	51	2.3	59
EBU600 (6")	17.5	444	11.1	283	11.2	286	5.6	142	2.0	51	2.3	59



888-689-8258

www.basiks.us info@basiks.us

A Value Line by Plast-O-Matic Valves, Inc. • 1384 Pompton Ave., Cedar Grove, NJ 07009 USA

EBU	B20 - 1 PHB	200	EP	PP	PV
BASIKS Model Valve		VALVE SIZE	SEAL MATERIAL	DISC MATERIAL	BODY MATERIAL
		200 – 2"	EP – EPDM	PP – Polypro	PV – PVC
		400 – 4"			
		500 – 5"			
		600 – 6"			

2" Smart Models

B20-1PHB - 230V AC Open/Close
B20-2PHB - 110V AC Open/Close
B20-3PHB - 24V AC Open/Close
B20-4PHB - 24V DC Open/Close
B20-7PHB - 12V DC Open/Close
B24-5PHB - 95-265V AC Open/ Close Failsafe
B24-6PHB - 24V DC Open/ Close Failsafe
B29-4PHB - 24V DC Open/ Close High Speed

2" Smart Models

S20.10-5PHE - 95-265V AC Smart Open/Close
S20.10-6PHE - 24V AC/DC Smart Open/Close
S20.14-5PHE - 95-265V AC Smart Open/Close Failsafe
S20.14-6PHE - 24V AC/DC Smart Open/Close Failsafe
S20.19-6PHE - 24V DC Smart Open/Close High Speed
S20.25-5PHP - 95-265V AC Smart Modulating (4-20mA)
S20.25-5PHU - 95-265V AC Smart Modulating (0-10V)
S20.25-6PHP - 24V AC/DC Smart Modulating (4-20mA)
S20.25-6PHU - 24V AC/DC Smart Modulating (0-10V)
S20.26-5PHP - 95-265V AC Smart Modulating Failsafe (4-20mA)
S20.26-5PHU - 95-265V AC Smart Modulating Failsafe (0-10V)
S20.26-6PHP - 24V AC/DC Smart Modulating Failsafe (4-20mA)
S20.26-6PHU - 24V AC/DC Smart Modulating Failsafe (0-10V)
S20.29-6PHP - 24V DC Smart Modulating High Speed (4-20mA)
S20.29-6PHU - 24V DC Smart Modulating Failsafe (0-10V)

3" & 4" Base Models

B60-5PHB - 95-265V AC Open/Close
B60-6PHB - 24V AC/DC Open/Close
B64-5PHB - 95-265V AC Open/ Close Failsafe
B64-6PHB - 24V AC/DC Open/ Close Failsafe
B69-4PHB - 24V DC Open/ Close High Speed
B69-5PHB - 95-265V AC Open/ Close High Speed

3" & 4" Smart Models

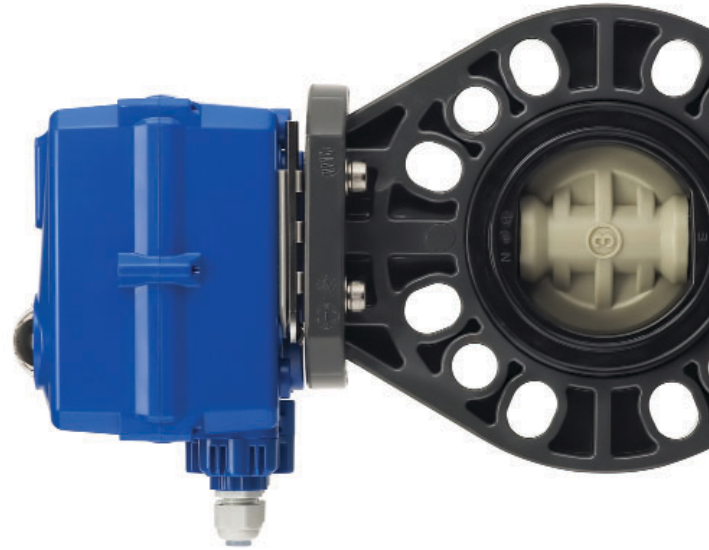
S60.10-5PHE - 95-265V AC Smart Open/Close
S60.10-6PHE - 24V AC/DC Smart Open/Close
S60.14-5PHE - 95-265V AC Smart Open/Close Failsafe
S60.14-6PHE - 24V AC/DC Smart Open/Close Failsafe
S60.25-5PHP - 95-265V AC Smart Modulating (4-20mA or 0-10V)
S60.25-6PHP - 24V AC/DC Smart Modulating (4-20mA or 0-10V)
S60.26-5PHP - 95-265V AC Smart Modulating Failsafe (4-20mA or 0-10V)
S60.26-6PHP - 24V AC/DC Smart Modulating Failsafe (4-20mA or 0-10V)
S60.29-5PHP - 95-265V AC Smart Modulating High Speed (4-20mA or 0-10V)
S60.29-6PHP - 24V AC/DC Smart Modulating High Speed (4-20mA or 0-10V)

5" & 6" Base Models

B110-5PHB - 95-265V AC Open/Close
B110-6PHB - 24V AC/DC Open/Close
B114-5PHB - 95-265V AC Open/ Close Failsafe
B114-6PHB - 24V AC/DC Open/ Close Failsafe
B119-4PHB - DC 24V Open/ Close High Speed

5" & 6" Smart Models

S110.10-5PHE - 95-265V AC Smart Open/Close
S110.10-6PHE - 24 AC/DC Smart Open/Close
S110.14-5PHE - 95-265V AC Smart Open/Close Failsafe
S110.14-6PHE - 24V AC/DC Smart Open/Close Failsafe
S110.25-5PHP - 95-265V AC Smart Modulating (4-20mA or 0-10V)
S110.25-6PHP - 24V AC/DC Smart Modulating (4-20mA or 0-10V)
S110.26-5PHP - 95-265V AC Smart Modulating Failsafe (4-20mA or 0-10V)
S110.26-6PHP - 24V AC/DC Smart Modulating Failsafe (4-20mA or 0-10V)
S110.29-6PHP - 24V AC/DC Smart Modulating High Speed (4-20mA or 0-10V)



BASIKS

888-689-8258

www.basiks.us info@basiks.us

A Value Line by Plast-O-Matic Valves, Inc. • 1384 Pompton Ave., Cedar Grove, NJ 07009 USA