

BÄSIKS

Electrically Actuated Ball Valves

Standard Actuator Features

- Dome style visual position indicator
- 2 x End of travel confirmation switches for remote indication
- Emergency manual override
- CE Marked, IP67 ingress protection
- Thermally protected motor
- Standard on-off function with optional failsafe or high speed available

Smart Actuator Features

- Digital position sensing
- Modulating, High-speed and failsafe options
- OLED display
- Programmable features (adjustable features)
- Local Control (Only with power supplied)



PVC or CPVC ball valves with compact Actuators

AC/DC 95V-265V

AC/DC 24V

DC 24V, AC 24V / 110V/230V

Design & Materials

High performance brushless actuator motor with overload/overheat protection.

Valve body and piping connections are available in PVC or CPVC, with EPDM or Viton seals. Actuator housing is constructed of ABS and is IP67 rated. ISO drive and mounting unit are aluminum. Mounting fasteners are stainless steel. For other materials consult factory.



BÄSIKS

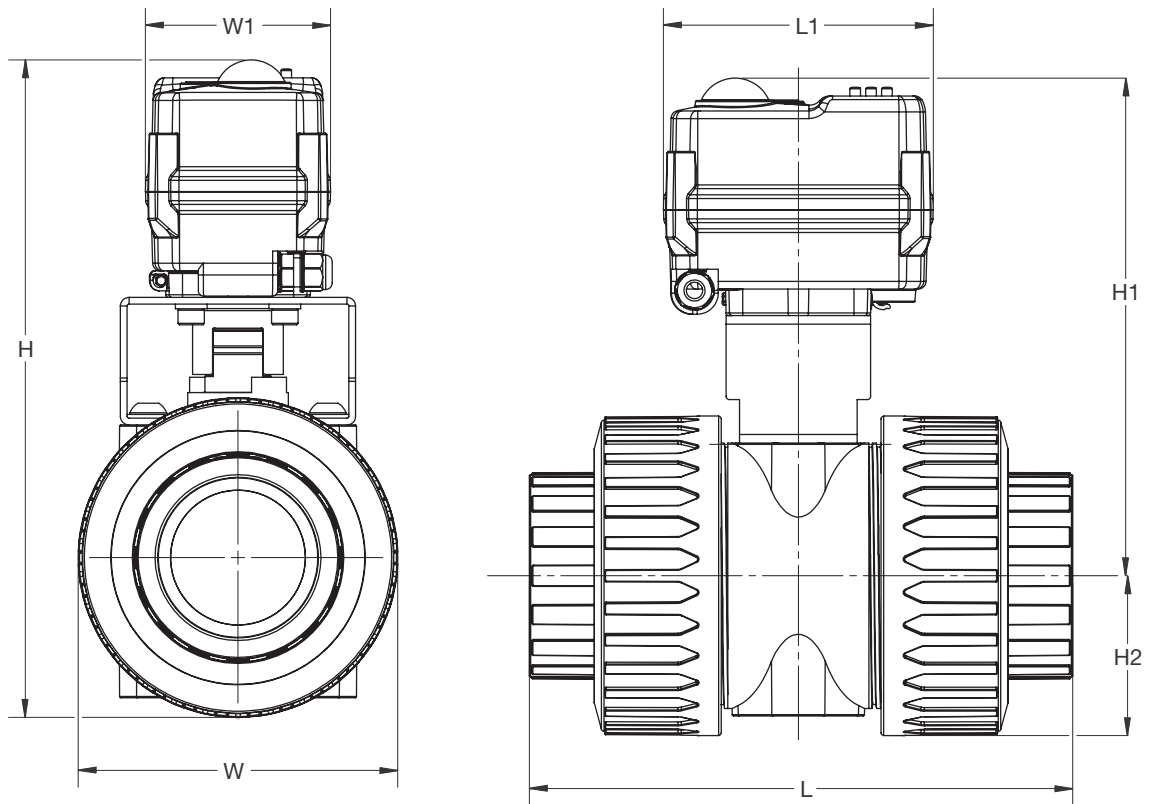
888-689-8258

www.basiks.us

info@basiks.us

Dimensions

1/2" - 2" /
15-50 DIN



MODEL	SIZE		L		L1		H		H1		H2		W		W1	
	IN.	DN	IN.	MM.	IN.	MM.	IN.	MM.	IN.	MM.	IN.	MM.	IN.	MM.	IN.	MM.
EBT-050	1/2"	15	4.5	114.3	4.0	101.6	6.9	175.3	5.7	144.8	1.1	27.9	2.1	53.3	2.8	71.1
EBT-075	3/4"	20	4.9	124.5	4.0	101.6	7.3	185.4	6.0	152.4	1.3	33.0	2.5	63.5	2.8	71.1
EBT-100	1"	25	5.6	142.2	4.0	101.6	7.6	193.0	6.1	154.9	1.4	35.6	2.8	71.1	2.8	71.1
EBT-125	1-1/4"	32	7.0	177.8	4.0	101.6	8.9	226.1	7.0	177.8	1.9	48.3	3.8	96.5	2.8	71.1
EBT-150	1-1/2"	40	7.0	177.8	4.0	101.6	8.9	226.1	7.0	177.8	1.9	48.3	3.8	96.5	2.8	71.1
EBT-200	2"	50	8.0	203.2	4.0	101.6	9.8	248.9	7.4	188.0	2.4	70.0	4.7	119.4	2.8	71.1



BASIKS

888-689-8258

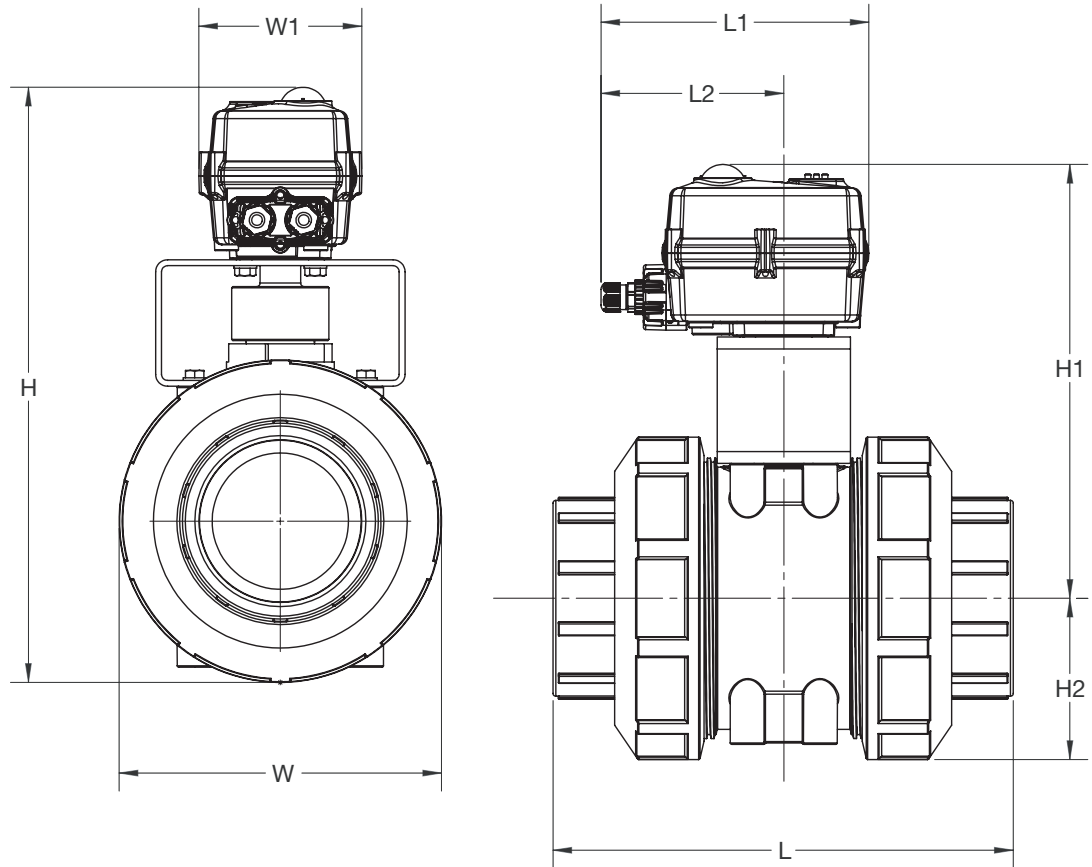
www.basiks.us info@basiks.us

A Value Line by Plast-O-Matic Valves, Inc. • 1384 Pompton Ave., Cedar Grove, NJ 07009 USA

01/19

Dimensions

3" & 4"/
80 & 100 DIN



Information

MODEL	SIZE		L		L1		L2		H		H1		H2		W		W1	
	IN.	DN	IN.	MM.	IN.	MM.	IN.	MM.	IN.	MM.	IN.	MM.	IN.	MM.	IN.	MM.	IN.	MM.
EBT-300	3"	80	10.9	276.9	7.4	188	5.1	129.5	15.0	381	11.2	284.5	3.7	94	7.2	182.9	4.5	115
EBT-400	4"	100	12.8	325.12	7.4	188	5.1	129.5	16.5	419.1	12.0	304.8	4.5	114.3	8.9	226.1	4.5	115



888-689-8258

www.basiks.us info@basiks.us

A Value Line by Plast-O-Matic Valves, Inc. • 1384 Pompton Ave., Cedar Grove, NJ 07009 USA

01/19

Base Actuator Specifications

Sizes		1/2" - 2"		
Actuator		B20	B24	B29
Model		Open/Close	Open/Close Failsafe	High-Speed Open/Close
Voltage (AC (1ph) or DC)		DC 12, 24V; AC 24, 110, 230V	DC 24V, AC 95-265	DC 24V
Working Time - Sec. 0-90° (No Load) ±10%		10s	15s	1s
Maximum Run / Torque Nm / in./lbs.		20/177	15/133	15/133
Maximum Break / Torque Nm / in./lbs.		20/177	20/177	15/133
On/Off Duty Rating %		75	75	75
IP Rating - IEC 60529		IP67	IP67	IP67
Working Angle Standard		90°	90°	90°
Temperature Range (F)		-4° to +140°	-4° to +140°	-4° to +140°
Motor Switch		2 x SPDT	2 x SPDT	2 x SPDT
Volt Free End of Travel Confirmation		2 x SPDT	2 x SPDT	2 x SPDT
Anti-Condensation Heater (W)		5W	2W	2W
Current Full Load: INRUSH CURRENT IS 3X THE STATED LOAD	12VDC	1A	N/A	N/A
	24VDC	.5A	1.5A	5A
	24V/1ph	.45A	NA	N/A
	110V/1ph	.135A	.18A	N/A
	240V/1PH	.06A	.09A	N/A
Weight (lbs)		1.37	1.37	1.37

Sizes		3" and 4"		
Actuator		B60	B64	B69
Model		Open/Close	Open/Close Failsafe	High-Speed Open/Close
Voltage (AC (1ph) or DC)		DC 12, 24V; AC 24, 110, 230V	DC 24V, AC 24, 95-265V	DC 24V, AC 24, 95-265V
Working Time - Sec. 0-90° (No Load) ±10%		20s	10s	3-5s
Maximum Run / Torque Nm / in./lbs.		60/531	60/531	60/531
Maximum Break / Torque Nm / in./lbs.		60/531	60/531	60/531
On/Off Duty Rating %		75	75	75
IP Rating - IEC 60529		IP67	IP67	IP67
Working Angle Standard		90°	90°	90°
Temperature Range (F)		-4° to +140°	-4° to +140°	-4° to +140°
Motor Switch		2 x SPDT	2 x SPDT	2 x SPDT
Volt Free End of Travel Confirmation		2 x SPDT	2 x SPDT	2 x SPDT
Anti-Condensation Heater (W)		5W	5W	5W
Current Full Load: INRUSH CURRENT IS 3X THE STATED LOAD	12VDC	4.5A	N/A	N/A
	24VDC	2.5A	5A	5A
	24V/1ph	2.5A	5A	5A
	110V/1ph	0.6A	1.04A	1.04A
	240V/1PH	.3A	.52A	.52A
Weight (lbs)		4.85	4.85	4.85

NOTE: Consult factory for 12 volt options.



888-689-8258

www.basiks.us info@basiks.us

A Value Line by Plast-O-Matic Valves, Inc. • 1384 Pompton Ave., Cedar Grove, NJ 07009 USA

Smart Actuator Specifications 1/2" - 2"

Sizes		1/2" and 2"		
Actuator		S20.10	S20.14	S20.19
Model		Smart Screen High-Speed Open/Close	Smart Screen Failsafe Open/Close	Smart Screen High-Speed Open/Close
Voltage (AC (1ph) or DC)		24V AC/DC, 95-265 AC/DC	24V AC/DC, 95-265 AC/DC	DC 24V
Working Time - Sec. 0-90° (No Load) ±10%		10s	15s	1s
Maximum Run / Torque Nm / in./lbs.		20/177	15/133	15/133
Maximum Break / Torque Nm / in./lbs.		20/177	20/177	15/133
On/Off Duty Rating %		75	75	75
IP Rating - IEC 60529		IP67	IP67	IP67
Working Angle Standard		90°	90°	90°
Temperature Range (F)		-4° to +140°	-4° to +140°	-4° to +140°
Motor Switch		Digital Sensing	Digital Sensing	Digital Sensing
Volt Free End of Travel Confirmation		Digital Sensing	Digital Sensing	Digital Sensing
Anti-Condensation Heater (W)		2W	2W	2W
Current Full Load: INRUSH CURRENT IS 3X THE STATED LOAD	12VDC	N/A	N/A	N/A
	24VDC	.35A	.35A	4.5A
	24V/1ph	.35A	.35A	N/A
	110V/1ph	.075A	.075A	N/A
	240V/1PH	.035A	.035A	N/A
Weight (lbs)		1.37	1.37	1.37

Sizes		1/2" and 2"		
Actuator		S20.25	S20.26	S20.29
Model		Smart Screen Modulating	Smart Screen Failsafe Modulating	Smart Screen High-Speed Modulating
Voltage (AC (1ph) or DC)		DC 12, AC/DC 24, 95-265 AC	24V AC/DC, 95-265 AC	24V DC
Working Time - Sec. 0-90° (No Load) ±10%		10s	15s	1s
Maximum Run / Torque Nm / in./lbs.		20/177	15/133	15/133
Maximum Break / Torque Nm / in./lbs.		20/177	20/177	15/133
On/Off Duty Rating %		100	100	100
IP Rating - IEC 60529		IP67	IP67	IP67
Working Angle Standard		90°	90°	90°
Temperature Range (F)		-4° to +140°	-4° to +140°	-4° to +140°
Motor Switch		Digital Sensing	Digital Sensing	Digital Sensing
Volt Free End of Travel Confirmation		Digital Sensing	Digital Sensing	Digital Sensing
Anti-Condensation Heater (W)		2W	2W	2W
Current Full Load: INRUSH CURRENT IS 3X THE STATED LOAD	12VDC	.35A	N/A	N/A
	24VDC	.35A	.35A	5A
	24V/1ph	.35A	.35A	N/A
	110V/1ph	.075A	.075A	N/A
	240V/1PH	.035A	.035A	N/A
Weight (lbs)		1.37	1.37	1.37

NOTE: Consult factory for 12 volt options.



888-689-8258

www.basiks.us info@basiks.us

A Value Line by Plast-O-Matic Valves, Inc. • 1384 Pompton Ave., Cedar Grove, NJ 07009 USA

Smart Actuator Specifications 3" & 4"

Sizes	3" and 4"		
	S60.10	S60.14	S60.25
Actuator	S60.10	S60.14	S60.25
Model	Smart Screen Open/Close	Smart Screen Failsafe Open/Close	Smart Screen Modulating
Voltage (AC (1ph) or DC)	24V AC/DC, 95-265 AC/DC	24V AC/DC, 95-265 AC/DC	DC 24V
Working Time - Sec. 0-90° (No Load) ±10%	10s	12s	10s
Maximum Run / Torque Nm / in./lbs.	60/531	60/531	60/531
Maximum Break / Torque Nm / in./lbs.	60/531	60/531	60/531
On/Off Duty Rating %	75	75	100
IP Rating - IEC 60529	IP67	IP67	IP67
Working Angle Standard	90°	90°	90°
Temperature Range (F)	-4° to +140°	-4° to +140°	-4° to +140°
Motor Switch	Digital Sensing	Digital Sensing	Digital Sensing
Volt Free End of Travel Confirmation	Digital Sensing	Digital Sensing	Digital Sensing
Anti-Condensation Heater (W)	5W	5W	5W
Current Full Load: INRUSH CURRENT IS 3X THE STATED LOAD	12VDC	4.5A	4.5A
	24VDC	2.5A	2.2A
	24V/1ph	2.5A	2.2A
	110V/1ph	.52A	0.52A
	240V/1PH	0.26A	0.26A
Weight (lbs)	4.85	4.85	4.85

Sizes	3" and 4"	
	S60.26	S60.29
Actuator	S60.26	S60.29
Model	Smart Screen Failsafe Modulating	Smart Screen High-Speed Modulating
Voltage (AC (1ph) or DC)	AC/DC 24; AC 95-265V	AC/DC 24; AC 95-265V
Working Time - Sec. 0-90° (No Load) ±10%	12s	5s
Maximum Run / Torque Nm / in./lbs.	60/531	60/531
Maximum Break / Torque Nm / in./lbs.	60/531	60/531
On/Off Duty Rating %	100	100
IP Rating - IEC 60529	IP67	IP67
Working Angle Standard	90°	90°
Temperature Range (F)	-4° to +140°	-4° to +140°
Motor Switch	Digital Sensing	Digital Sensing
Volt Free End of Travel Confirmation	Digital Sensing	Digital Sensing
Anti-Condensation Heater (W)	5W	5W
Current Full Load: INRUSH CURRENT IS 3X THE STATED LOAD	12VDC	9.0A
	24VDC	4.5A
	24V/1ph	4.5A
	110V/1ph	1.10A
	240V/1PH	0.52A
Weight (lbs)	4.85	4.85

NOTE: Consult factory for 12 volt options.

All S60 have the capacity to accept both 4-20mA and 0-10V signal by changing wiring configuration.



888-689-8258

www.basiks.us info@basiks.us

A Value Line by Plast-O-Matic Valves, Inc. • 1384 Pompton Ave., Cedar Grove, NJ 07009 USA

EBT	B20 - 1PHB	050	EP	S	PV
BASIKS Model Valve	Actuator 1/2" - 2"	Valve Size 050 - 1/2" ANSI/ NPT 075 - 3/4" 100 - 1" 150 - 1 1/2" 200 - 2" 300 - 3" 400 - 4"	Seal Material EP- EPDM V-Viton FKM	Connection S- Socket T- Threaded	Body Material PV - PVC CP - CPVC
	Base B20-1PHB, (AC 230V) B20-2PHB, (AC110V) B20-3PHB, (AC 24V) B20-4PHB, (DC 24V) B24-5PHB, (AC 95-265V) B24-6PHB, (DC 24V) B29-4PHB, (DC 24V)	050D -20mm DIN/BSP 075D -25mm 100D - 32mm 125D - 40mm 150D - 50mm 200D - 63mm 300D - 90mm 400D - 110mm			
	Smart S20.10-5PHE, (95-265V AC/DC) S20.10-6PHE, (24V AC/DC) S20.14-5PHE, (95-265V AC/DC) S20.14-6PHE, (24V AC/DC) S20.19-6PHE, (DC 24V)	050J - 22mm JIS/BSP 075J - 26mm 100J - 32mm 125J - 38mm 150J - 48mm 200J - 60mm 300J - 89mm 400J - 114mm			
	Smart w/Modulation S20.25-5PHP, (95-265V AC/DC) ² S20.25-5PHU, (95-265V AC/DC) ¹ S20.25-6PHP, (24V AC/DC) ² S20.25-6PHU, (24V AC/DC) ¹ S20.26-5PHP, (95-265V AC/DC) ² S20.26-5PHU, (95-265V AC/DC) ¹ S20.26-6PHP, (24V AC/DC) ² S20.26-6PHU, (24V AC/DC) ¹ S20.29-6PHP, (24V AC/DC) ² S20.29-6PHU, (24V AC/DC) ¹				
	3" + 4" Base B60-1PHB, (AC 230V) B60-2PHB, (AC110V) B60-3PHB, (AC 24V) B60-4PHB, (DC 24V) B60-5PHB, (95-265V AC/DC) B60-6PHB, (24V AC/DC) B64-5PHB, (24V AC/DC) B64-6PHB, (95-265V AC/DC) B69-6PHB, (24V AC/DC) B69-5PHB-17, (95-265V AC/DC)				
	Smart S60.10-5PHE, (95-256V AC/DC) S60.10-6PHE, (24V AC/DC) S60.14-5PHE, (95-256V AC/DC) S60.14-6PHE, (24V AC/DC)				
	Smart w/Modulation S60.25-5PHP, (95-256V AC/DC) ³ S60.25-6PHP, (24V AC/DC) ³ S60.26-5PHP, (95-256V AC/DC) ³ S60.26-6PHP, (24V AC/DC) ³ S60.29-5PHP, (95-256V AC/DC) ³ S60.29-6PHP, (24V AC/DC) ³				



Modulation:

¹ 0-10V

² 4-20mA

³ 0-10V or 4-20mA



888-689-8258

www.basiks.us info@basiks.us

A Value Line by Plast-O-Matic Valves, Inc. • 1384 Pompton Ave., Cedar Grove, NJ 07009 USA