

BĀSIKS

Manual Diaphragm Valve

Features

Ultra-smooth, non-rising stem

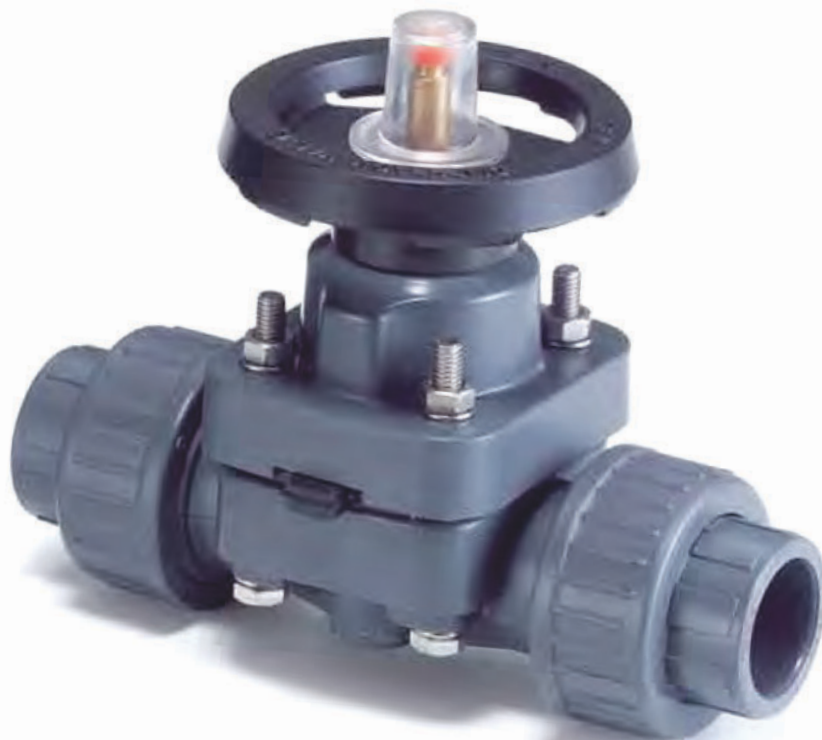
**True-union design
simplifies installation**

**Especially suitable for throttling
applications; flow controls,
slurries and harsh applications**

Position indication

Super low profile

**1/2" - 2" sizes;
Grade 1 Type 1 PVC**



Design & Materials

Wetted Parts:

Valve body, upper housing, end connector and union nut are choice of PVC, CPVC, beige polypro, or PVDF. Diaphragm is choice of EPDM or PTFE. O-rings between body and end connector are choice of EPDM or FKM.

Non-wetted Parts:

Shaft and sleeve are brass, hardware is stainless steel, indicator is polyethylene, indicator cover is polycarbonate, diaphragm compression is PVDF or GPP, handle is ABS.



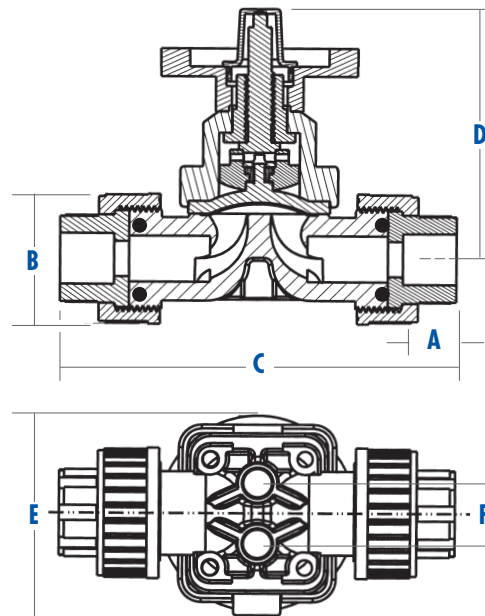
BĀSIKS

888-689-8258

www.basiks.us
info@basiks.us

Series D14						
Valve Size	A In.	B In.	C In.	D In.	E In.	F In.
1/2"	0.875	2.126	6.53	4.094	3.189	0.984
3/4"	1.000	2.126	6.53	4.094	3.189	0.984
1"	1.125	2.480	7.20	4.567	3.583	0.984
1 1/4"	2.500	3.500	9.37	5.591	4.606	1.772
1 1/2"	1.375	3.500	9.37	5.591	4.606	1.772
2"	1.500	3.970	10.74	6.829	5.906	1.772

Mounting holes are 5/16" threaded



Cv Values & Torque Specifications

Valve Size	Cv	Torque	
		N.M	Kg.M
1/2"	3.27	7.85	80
3/4"	5.29	7.85	80
1"	8.87	7.85	80
1 1/2"	31.09	9.81	100
2"	43.15	9.81	100

Test pressure 148 PSI

Ordering Information

Valve Size	PVC Part Numbers with Diaphragm and O-Ring Materials		
	EPDM / EPDM	PTFE / FKM	PTFE / EPDM
1/2"	DE14-050EPS-PV	DT14-050VS-PV	DT14-050EPS-PV
3/4"	DE14-075EPS-PV	DT14-075VS-PV	DT14-075EPS-PV
1"	DE14-100EPS-PV	DT14-100VS-PV	DT14-100EPS-PV
1 1/2"	DE14-150EPS-PV	DT14-150VS-PV	DT14-150EPS-PV
2"	DE14-200EPS-PV	DT14-200VS-PV	DT14-200EPS-PV

Part numbers shown have socket connections. For threaded connections on EPDM models, change EPS to EPT. Example: DE14-050EPT-PV. For threaded connections on FKM models, change VS to VT. Example: DT14-050VT-PV.

Part numbers shown are for PVC. For CPVC, change -PV suffix to -CP. For Beige Polypro, change -PV suffix to -PP. For PVDF, change -PV suffix to -PE. Example: DT14-050VT-PE.



BASIKS

888-689-8258

www.basiks.us info@basiks.us

A Value Line by Plast-O-Matic Valves, Inc. • 1384 Pompton Ave., Cedar Grove, NJ 07009 USA