

BASIKS

Air Actuated Butterfly Valves

Actuator Features

- Million cycle design
- Polished bore & low friction bearings
- Visual indication
- Blowout-proof shaft
- Precision machined gears
- Meets ASTM B117-73 (500 hours salt spray)



PVC butterfly valves with compact actuators

Design & Materials

Valve lug body is PVC, disc is polypropylene. Seats (liners) and O-rings are choice of EPDM or FKM. Non-wetted Parts: Oil seal is EPDM. Stem (410 or 316), gearing, spring, lever and pin (304) are stainless steel; handle, handle lever, and other handle parts are ABS; handle insert is FC0208. Positioner is PVC.

Actuator body is aluminum alloy (ASTM 6063-T6 and ASTM B179) with additional components constructed of nickel plated steel, stainless steel, spring steel, high alloy spring steel, aluminum, nylon, nitrile, and acetal resin.

Requires 60 PSI clean dry air.

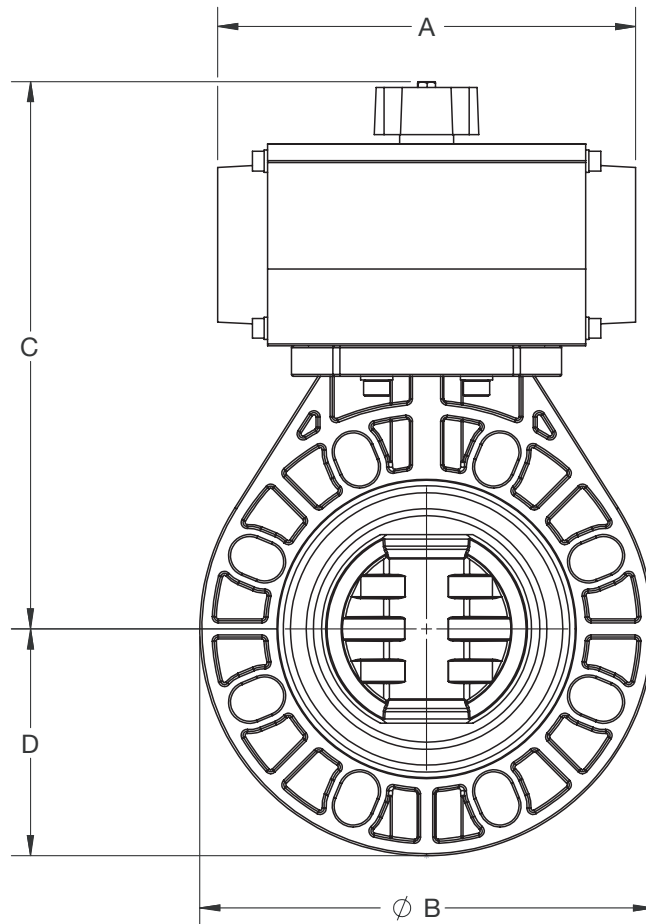


BASIKS

888-689-8258

www.basiks.us

info@basiks.us



ABU DIMENSIONS																		
MODEL	"A"		"B"		"C"		"D"		"E"		"F"		"G"		"H"		"I"	
	in.	mm	in.	mm	in.	mm	in.	mm	in.	mm	in.	mm	in.	mm	in.	mm	in.	mm
ABU200 (2")	6.0	151	6.4	166	8.7	212	3.2	83	11.9	295	3.4	86	1.7	43	1.4	36	3.7	93
ABU300 (3")	8.2	207	7.8	198	10.1	256	3.9	99	14.0	355	3.7	94	1.8	47	1.6	40	3.8	96
ABU400 (4")	8.2	207	8.8	226	10.7	272	4.4	113	15.1	385	3.7	94	2.1	53	1.9	48	3.9	99
ABU500 (5")	10.5	267	10.0	254	12.4	316	5.0	127	17.4	443	4.7	120	2.3	59	2.0	51	4.0	101
ABU600 (6")	10.5	267	11.2	284	13.3	337	5.6	142	18.9	479	4.7	120	2.2	56	2.0	50	4.0	101
ABU800 (8")	14.2	360	13.6	344	15.0	381	6.8	172	21.8	553	5.3	134	2.6	66	2.4	61	4.3	110

SBU DIMENSIONS																		
MODEL	"A"		"B"		"C"		"D"		"E"		"F"		"G"		"H"		"I"	
	in.	mm	in.	mm	in.	mm	in.	mm	in.	mm	in.	mm	in.	mm	in.	mm	in.	mm
SBU200 (2")	8.2	207	6.4	166	9.4	238	3.2	83	12.6	321	3.7	94	1.7	43	1.4	36	3.7	93
SBU300 (3")	10.5	267	7.8	198	11.1	281	3.9	99	15.0	380	4.7	94	1.8	47	1.6	40	3.8	96
SBU400 (4")	10.5	267	8.8	226	11.7	296	4.4	113	16.1	409	4.7	120	2.1	53	1.9	48	3.9	99
SBU500 (5")	14.3	362	10.0	254	13.6	345	5.0	127	18.6	472	5.6	141	2.3	59	2.0	51	4.0	101
SBU600 (6")	15.4	390	11.2	284	15.2	386	5.6	142	20.8	528	6.4	163	2.2	56	2.0	50	4.0	101
SBU800 (8")	15.4	390	13.6	344	16.3	414	6.8	172	23.1	586	6.4	163	2.6	66	2.4	61	4.3	110



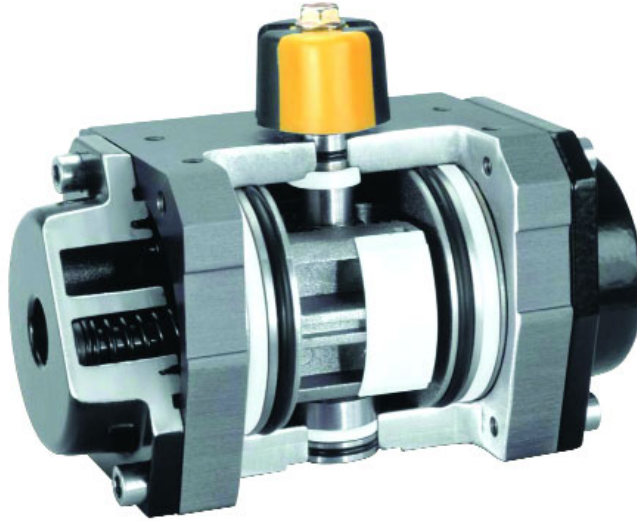
BASIKS

888-689-8258

www.basiks.us info@basiks.us

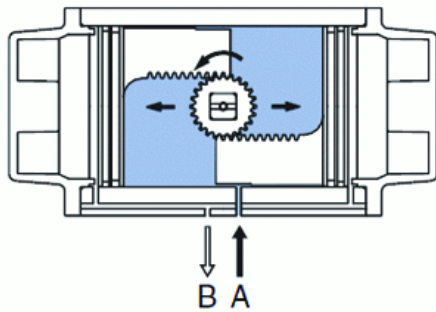
A Value Line by Plast-O-Matic Valves, Inc. • 1384 Pompton Ave., Cedar Grove, NJ 07009 USA

Air Actuators

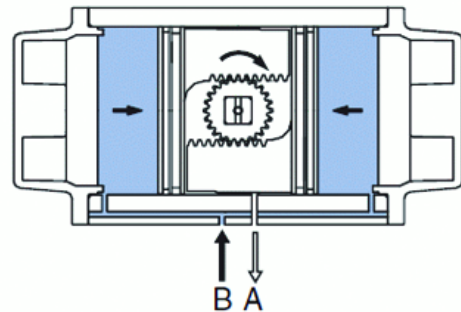


- Million cycle design
- Polished bore & low friction bearings
- Visual indication
- Blowout-proof shaft
- Meets ASTM B117-73 (500 hrs. salt spray)

Air x Air Series ABU

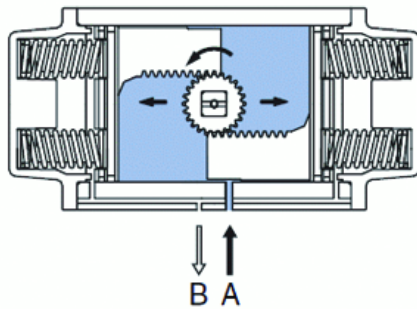


Air supplied to Port A forces pistons apart and toward end positions with exhaust air exiting at Port B.
(A counter-clockwise rotation is obtained)

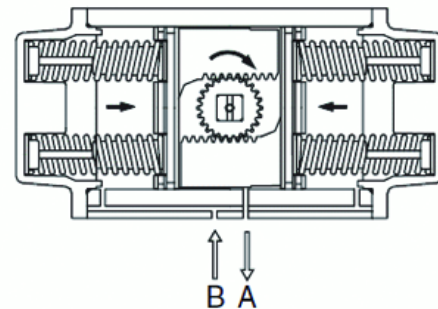


Air supplied to Port B forces pistons toward center with exhaust air exiting at Port A.
(A clockwise rotation is obtained)

Air x Spring Series SBU



Air supplied to Port A forces pistons apart and toward end position, compressing springs. Exhaust air exits at Port B.
(A counter-clockwise rotation is obtained)



Air or electric failure allows springs to force pistons toward center position with exhaust air exiting at Port A.
(A clockwise rotation is obtained)



BASIKS

888-689-8258

www.basiks.us info@basiks.us

A Value Line by Plast-O-Matic Valves, Inc. • 1384 Pompton Ave., Cedar Grove, NJ 07009 USA

Ordering Information

<u>ABU</u>	<u>200</u>	<u>EP</u>	<u>PP</u>	<u>PV</u>
BASIKS MODEL	VALVE SIZE	SEAL MATERIAL	DISC MATERIAL	BODY MATERIAL
ABU – AIR X AIR	200 – 2"	EP – EPDM	PP – Polypro	PV – PVC
SBU – AIR X SPRING	300 – 3"	EP – VITON		
	400 – 4"			
	500 – 5"			
	600 – 6"			
	800 – 8"			



BASIKS

888-689-8258

www.basiks.us info@basiks.us

A Value Line by Plast-O-Matic Valves, Inc. • 1384 Pompton Ave., Cedar Grove, NJ 07009 USA

06/18