



# S110.25 SMART MODULATING 974in.lbs



## Model: S110.25 974in.lbs SMART MODULATING ELECTRIC ACTUATOR

	AC	AC/DC	DC
Rated Voltage	AC230V	AC/DC 24V	24VDC
Voltage Range	AC 95-265V/DC100-300V	AC18-26/DC22-32V	DC22-32V
Consumption	15W run, 2.1W hold	15W run, 2.1W hold	15W run, 2.1W hold
Peak Current	0.26A @ 5ms 230VAC	2.2A @ 5ms 24VDC	2.2A for 5ms 24VDC
Fuse	2A	10A	10A
Maximum Break Torque in.lbs	974		
Run & Reseat Torque in.lbs	974		
Manual Operation	Yes, by hexagonal wrench (supplied in clip) when no power. Local control via touch buttons under power.		
Control Signal Input/ Output	0-20mA, 4-20mA, 0-5V, 1-5V, 0-10V, 2-10V		
Run Time	≈ 10 sec		

### STANDARD FEATURES:

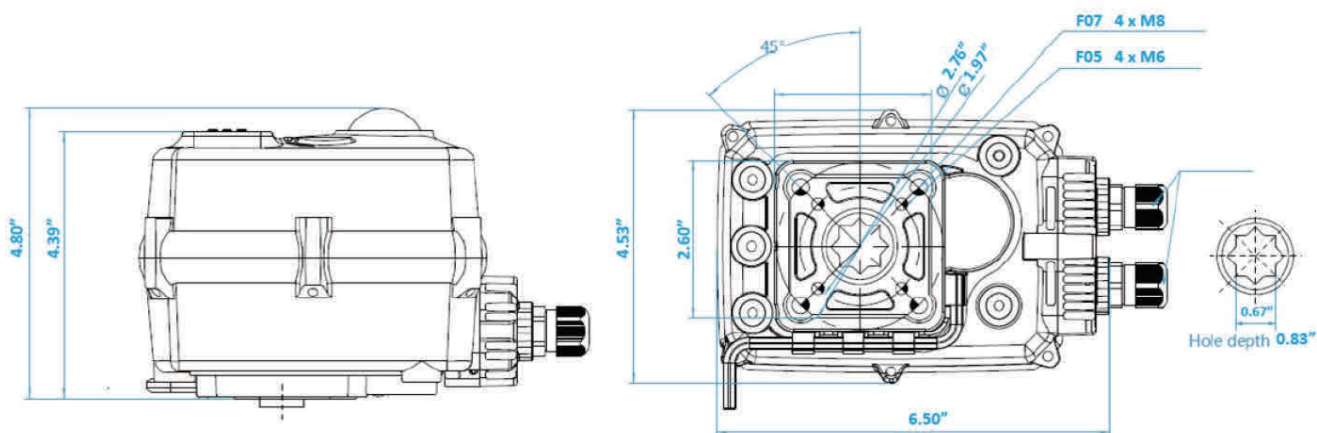
Operating Frequency	AC not continuous, 75% duty cycle but recommend allowing $\geq 1$ min between cycles. DC is continuous.
Position Confirmation	Mechanically driven dome style visual 2 color indicator
Mounting Restriction	None, it can be mounted at any angle. Leave space for manual operation and electrical connection.
End Position Indication	Micro-switches operated by adjustable internal cams, set slightly ahead of the final motor stop position.
ISO:5211	F05 & F07
Working Angle	Factory set at $90^{\circ} \pm 2^{\circ}$ , maximum angle of rotation $330^{\circ} \pm 5^{\circ}$
Female Drive	.67" (17mm) octagon x 83" (21mm) deep
Ingress Protection	IP67
Max Media Temperature	176° F
Ambient Temperature	-4° F to 176° F
Non-operating Temperature	-40° F to 176° F
Ambient Humidity	5-95% RH non-condensing
Explosion Proof	Actuator is not explosion proof and should not be placed in hazardous areas.
Housing	Plastic (ABS) cover
Weight	Standard ABS housing 4.85lbs

**NOTE:** With Series 60-110 you can select your Modulating Control (ex 4-20Ma or 0-10V) via the menu system. You can also select Normally Open, Normally Closed or Keep Position on signal loss. See the User Guide for more details.



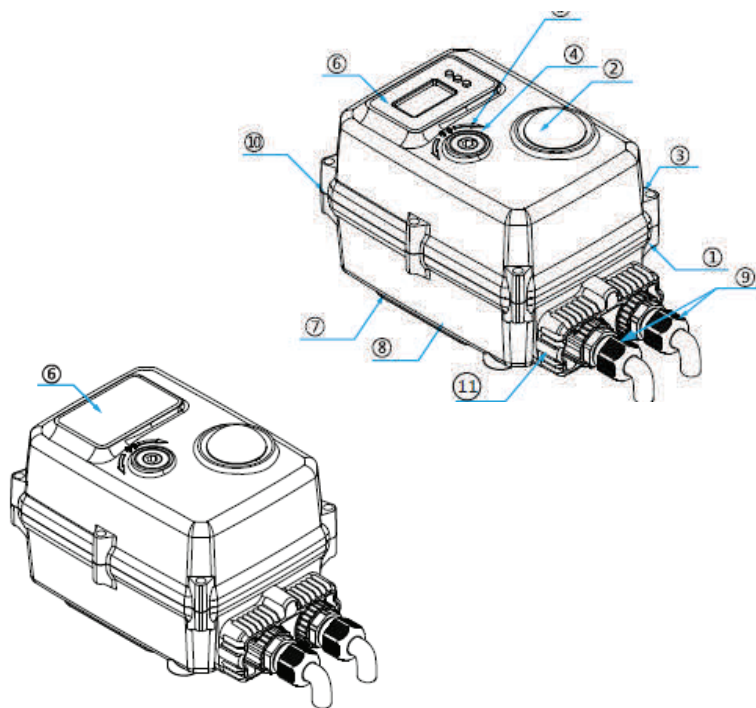
**DIMENSIONS**

**S110.25 974in.lbs SMART MODULATING ACTUATOR**



**MATERIALS**

**S110.25 974in.lbs SMART MODULATING ACTUATOR**



No	PART	MATERIAL
1	Housing	ABS
2	Indicator	Transparent AS
3	Cover screws	304SS
4	Override drive	304SS
5	Seal	NBR
6	Screen	OLED
7	Seal	NBR
8	Connector	Plastic
9	Cover seal	NBR
10	Seal	NBR
11	Label	PVC
12	Allen key	Tool steel
13	Terminal box	Heatproof ABS
14	Output drive	304SS

**PART NUMBERS**

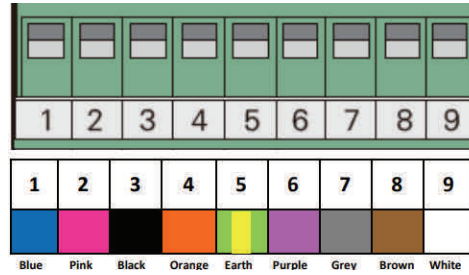
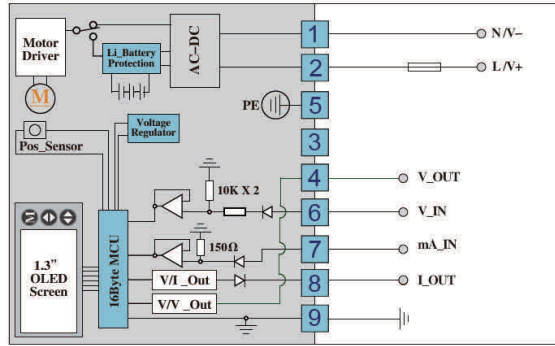
**S110.25 974in.lbs SMART MODULATING ACTUATOR**

Model	Voltage	Housing	Heater	Control of Modulating function
S110.25-	5 AC 95-265V	P ABS	H 5W/24kΩ	P 4/20mA input / Output
	6 AC/DC 24V			U 0-10V input / Output



MODULATING WIRING TYPE 'P'

Without alarm signal output function



Volt free aux contacts

**NOTE: ACTUATORS SHOULD HAVE DEDICATED POWER AND CONTROL**

**Overview:** All BASIKS smart electric actuators have local controls as standard. An OLED screen and 3 positive push buttons create a user friendly interface for local control and a variety of adjustments. The screen is easy to read, with bright blue letters on a black background, and the use of the push buttons to adjust settings is intuitive. The local controls require power to be applied to the actuator to operate.

Local controls:



- M button is used to enter and switch menus (Hold for three seconds).
- K2 is used in conjunction with K3 for adjusting the actuator settings.
- K3 is used for changing settings, navigating menus, exiting and saving.
- OLED Screen with clear blue letters against a black background.

Standard local control function options:

- MANUAL CONTROL** The BASIKS smart actuator can be opened and closed using the K2 and K3 buttons (hold down K3 for three seconds to access).
- DEAD BAND** Adjusts the accuracy and sensitivity of the actuator.
- SPEED CONTROL** The working time can be increased either by setting a step timer (run/stop/run/stop), or continuous running by adjusting the PWM.
- CLOSED POSITION** The close position of the actuator can be adjusted by using the K2 and K3 buttons (zero adjustment).
- REVERSE ACTING** Actuator closes when an open signal is received, and vice versa.
- EXTEND ANGLE** Adjust the open position by adjusting the span of the actuator. Typically used to set 0-180 degree operation.
- SIGNAL LOSS** Sets one of three positions the actuator takes at loss of signal control.
- CURRENT ADJUST** Adjust the output current of the actuator.