



S110.14 SMART FAILSAFE 974in.lbs



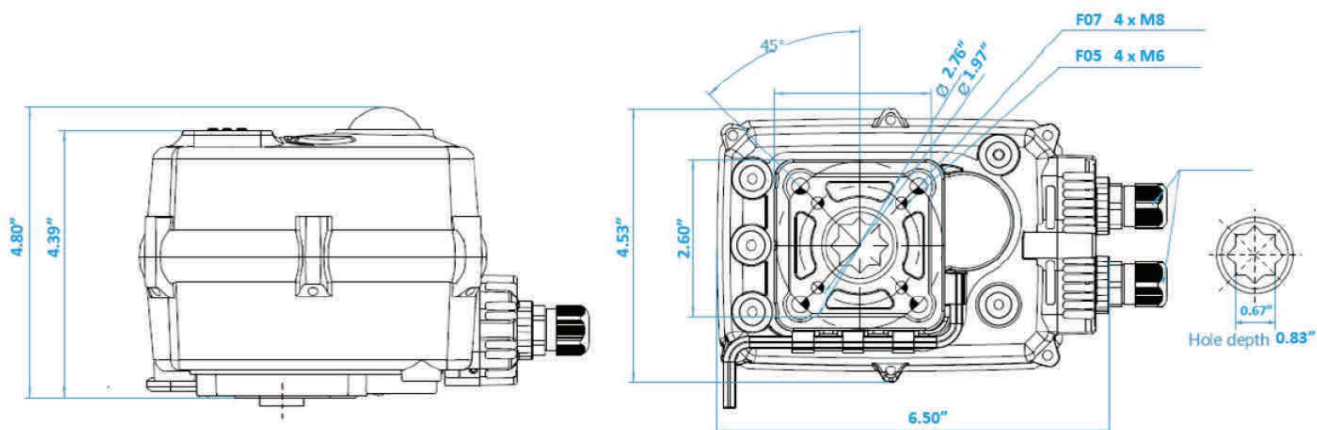
Model: S110.14 974in.lbs SMART FAILSAFE ELECTRIC ACTUATOR

| | AC | AC/DC | DC |
|-----------------------------|---|--------------------|--------------------|
| Rated Voltage | AC230V | AC/DC 24V | 24VDC |
| Voltage Range | AC 95-265V/DC100-300V | AC18-26/DC22-32V | DC22-32V |
| Consumption | 30W run, 3.9W hold | 28W run, 2.1W hold | 28W run, 2.1W hold |
| Peak Current | 0.52A @ 5ms 230V | 4.5A @ 5ms 24VDC | 4.5A for 5ms 24VDC |
| Fuse | 2A | 10A | 10A |
| Maximum Break Torque in.lbs | 974 | | |
| Run & Reseat Torque in.lbs | 974 | | |
| Manual Operation | Yes, by hexagonal wrench (supplied in clip) when no power. Local control via touch buttons under power. | | |
| Run Time | ≈ 12 sec | | |

STANDARD FEATURES:

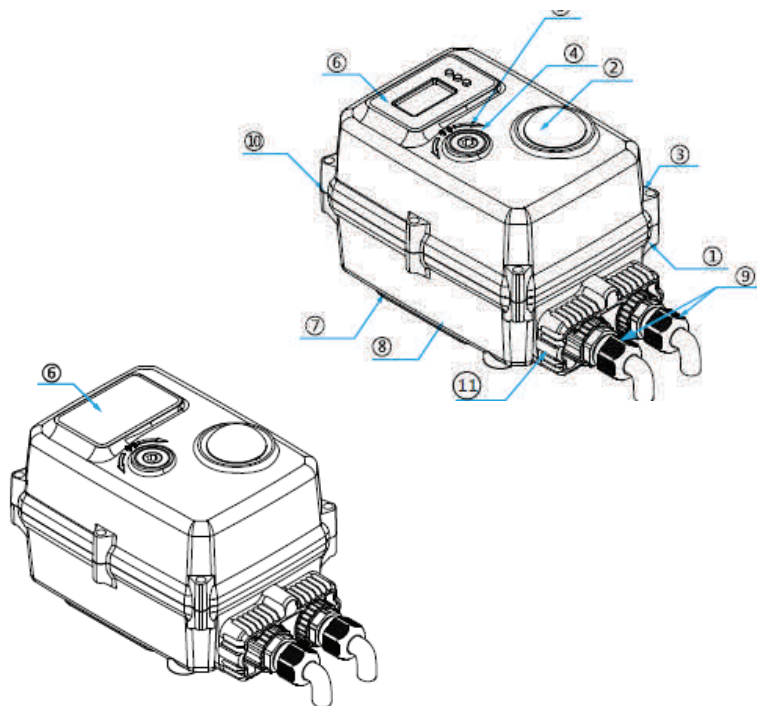
| | |
|---------------------------|--|
| Operating Frequency | AC not continuous, 75% duty cycle but recommend allowing ≥ 1 min between cycles. DC is continuous. |
| Position Confirmation | Mechanically driven dome style visual 2 color indicator |
| Mounting Restriction | None, it can be mounted at any angle. Leave space for manual operation and electrical connection. |
| End Position Indication | Micro-switches operated by adjustable internal cams, set slightly ahead of the final motor stop position. |
| ISO:5211 | F05 & F07 |
| Working Angle | Factory set at $90^{\circ} \pm 2^{\circ}$, maximum angle of rotation $330^{\circ} \pm 5^{\circ}$ |
| Failsafe Function | Internally fitted industrial battery, charged when power applied. Normally Closed, Open or Stay Put on power loss. |
| Female Drive | .67" (17mm) octagon x 83" (21mm) deep |
| Ingress Protection | IP67 |
| Max Media Temperature | 176° F |
| Ambient Temperature | -4° F to 176° F |
| Non-operating Temperature | -40° F to 176° F |
| Ambient Humidity | 5-95% RH non-condensing |
| Explosion Proof | Actuator is not explosion proof and should not be placed in hazardous areas. |
| Housing | Plastic (ABS) cover |
| Weight | Standard ABS housing 4.85lbs |





MATERIALS

S110.14 974in.lbs SMART FAILSAFE ACTUATOR



| No | PART | MATERIAL |
|----|----------------|----------------|
| 1 | Housing | ABS |
| 2 | Indicator | Transparent AS |
| 3 | Cover screws | 304SS |
| 4 | Override drive | 304SS |
| 5 | Seal | NBR |
| 6 | Screen | OLED |
| 7 | Seal | NBR |
| 8 | Connector | Plastic |
| 9 | Cover seal | NBR |
| 10 | Seal | NBR |
| 11 | Label | PVC |
| 12 | Allen key | Tool steel |
| 13 | Terminal box | Heatproof ABS |
| 14 | Output drive | 304SS |

PART NUMBERS

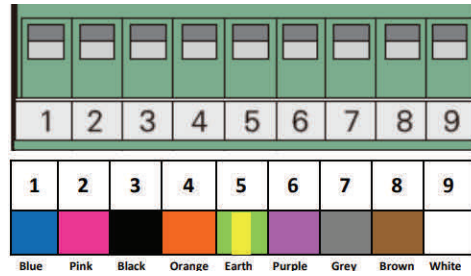
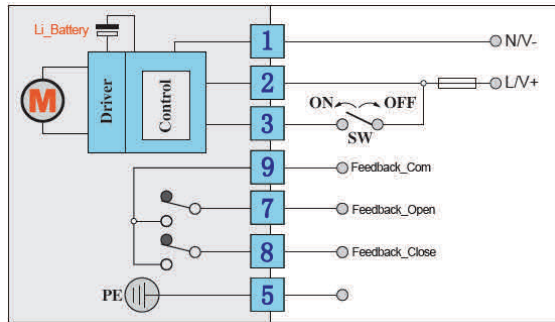
S110.14 974in.lbs SMART FAILSAFE ACTUATOR

| Model | Voltage | Housing | Heater | Control of on-off function |
|----------|--------------|---------|-------------------|---|
| S110.14- | 5 AC 95-265V | P ABS | H 5W/24k Ω | E SPDT. Switchable +ve/ live Volt free end of travel confirmation |
| | 6 DC 24V | | | |

NOTE: US STANDARD STOCK IS WIRING 'E', ANY OTHERS ARE FACTORY OPTIONS. DETAILS AVAILABLE ON REQUEST.



SPDT Wiring Type 'E'



Volt free aux contacts

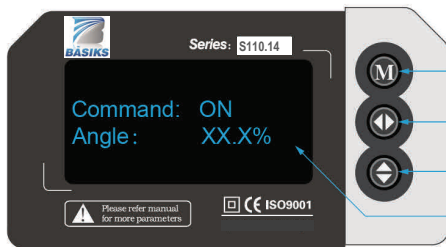
NOTE: ACTUATORS SHOULD HAVE DEDICATED POWER AND CONTROL

LOCAL CONTROLS

S110.14 974in.lbs SMART FAILSAFE ACTUATOR

Overview: All BASIKS smart electric actuators have local controls as standard. An OLED screen and 3 positive push buttons create a user friendly interface for local control and a variety of adjustments. The screen is easy to read, with bright blue letters on a black background, and the use of the push buttons to adjust settings is intuitive. The local controls require power to be applied to the actuator to operate.

Local controls:



- M button is used to enter and switch menus (Hold for three seconds).
- K2 is used in conjunction with K3 for adjusting the actuator settings.
- K3 is used for changing settings, navigating menus, exiting and saving.
- OLED Screen with clear blue letters against a black background.

Standard local control function options:

- MANUAL CONTROL** The BASIKS smart actuator can be opened and closed using the K2 and K3 buttons (hold down K3 for three seconds to access).
- DEAD BAND** Adjusts the accuracy and sensitivity of the actuator.
- SPEED CONTROL** The working time can be increased either by setting a step timer (run/stop/run/stop), or continuous running by adjusting the PWM.
- CLOSED POSITION** The close position of the actuator can be adjusted by using the K2 and K3 buttons (zero adjustment).
- REVERSE ACTING** Actuator closes when an open signal is received, and vice versa.
- EXTEND ANGLE** Adjust the open position by adjusting the span of the actuator. Typically used to set 0-180 degree operation.
- 3 POSITIONS** Sets the 3rd position of the actuator (subject to wiring system).
- FAILSAFE ACTION** Selects the actuator position when power is cut.
- BATTERY CHARGE** Sets the value for how much the battery will be charged before the actuator can be used.