



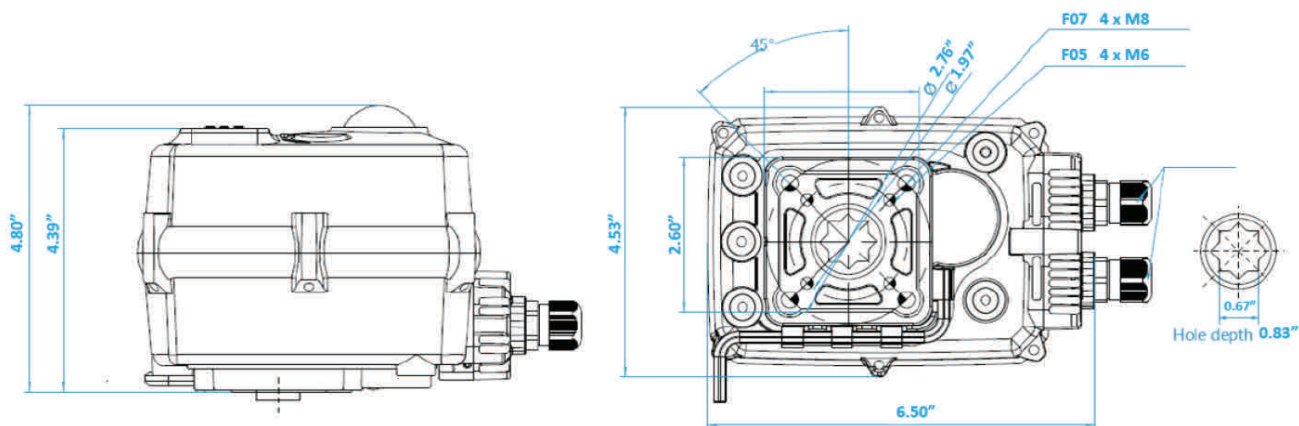
B64 BASIC FAILSAFE 531in.lbs



Model: B64 531in.lbs BASIC FAILSAFE ELECTRIC ACTUATOR

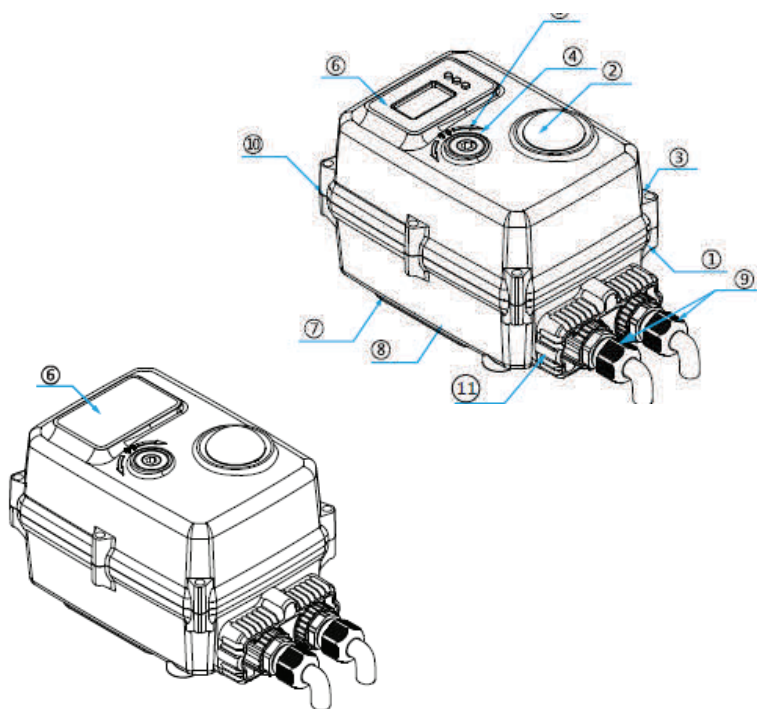
	AC	DC
Rated Voltage	AC230V	24VDC
Voltage Range	AC 95-265V	DC22-32V
Consumption	15W run, 1.6W hold	15W run, 1.5W hold
Peak current	0.52A @ 5ms 230V	5A for 5ms 24VDC
Fuse	2A	10A
Maximum Break Torque in.lbs	531	531
Run & Reseat Torque in.lbs	531	531
Manual operation	Yes, by hexagonal wrench (supplied in clip) when no power is being applied	
Run time	≈ 10 sec	≈ 10 secs
STANDARD FEATURES:		
Operating Frequency	AC not continuous, 75% duty cycle but recommend allowing ≥1 min between cycles. DC is continuous.	
Position Confirmation	Mechanically driven dome style visual 2 color indicator	
Mounting Restriction	None, it can be mounted at any angle. Leave space for manual operation and electrical connection.	
End Position Indication	Micro-switches operated by adjustable internal cams , set slightly ahead of the final motor stop position.	
ISO:5211	F05 & F07	
Working Angle	Factory set at 90° ±2°, maximum angle of rotation 360°	
Failsafe Function	Internally fitted industrial battery, charged when power applied. Normally Closed, Open or Stay Put on power loss.	
Female Drive	.67" (17mm) octagon x .83" (21mm) deep	
Ingress Protection	IP67	
Max Media Temperature	176° F	
Ambient Temperature	-4° F to 176° F	
Non-operating Temperature	-40° F to 176° F	
Ambient Humidity	5-95% RH non-condensing	
Explosion Proof	Actuator is not explosion proof and should not be placed in hazardous areas.	
Housing	Plastic (ABS) cover	
Weight	Standard ABS housing 4.85lbs	





MATERIALS

B64 531in.lbs BASIC ON-OFF FAILSAFE ACTUATOR



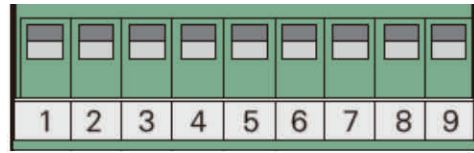
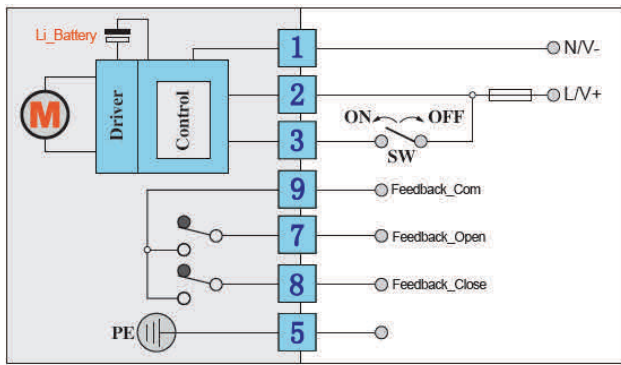
No	PART	MATERIAL
1	Housing	ABS
2	Indicator	Transparent AS
3	Cover screws	304SS
4	Override drive	304SS
5	Seal	NBR
6	Screen	OLED
7	Seal	NBR
8	Connector	Plastic
9	Cover seal	NBR
10	Seal	NBR
11	Label	PVC
12	Allen key	Tool steel
13	Terminal box	Heatproof ABS
14	Output Drive	304SS

PART NUMBERS

B64 531in.lbs BASIC ON-OFF FAILSAFE ACTUATOR

Model	Voltage	Housing	Heater	Control of on-off function
B64-	4 DC 24V	p ABS Plastic	H 5W/24kΩ	B SPDT. Switchable +ve/ live Volt free end of travel confirmation
	5 AC 95-265			

SPDT Wiring Type 'B'



1	2	3	4	5	6	7	8	9
Blue	Pink	Black	Orange	Earth	Purple	Grey	Brown	White

Volt free aux contacts

NOTE: ACTUATORS SHOULD HAVE DEDICATED POWER AND CONTROL