



## B29 BASIC ON-OFF HI-SPEED 133 in.lbs



**Model:** B29 133in.lbs BASIC ON-OFF HI-SPEED ELECTRIC ACTUATOR

	DC
Rated Voltage	DC24V
Voltage Range	DC22-28V
Consumption	100W run, 0.75W hold
Peak current	5000mA for 5ms
Fuse	10A
Maximum Break Torque in.lbs	133
Run & Reseat Torque in.lbs	133
Manual operation	Yes, by hexagonal wrench (supplied in clip) when no power is being applied
Run time	≈ 1sec

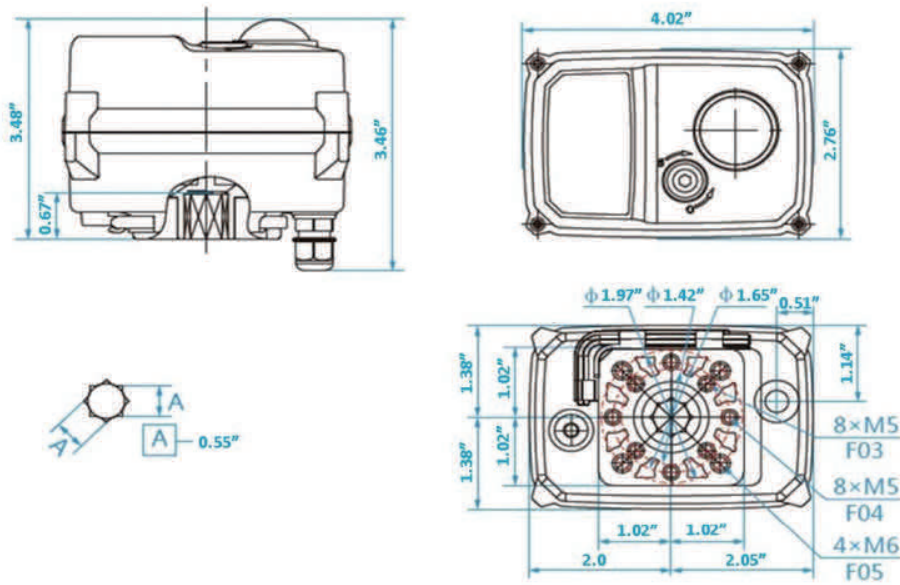
**STANDARD FEATURES:**

Operating frequency	Not continuous, allow $\geq 1$ minute between cycles
Position confirmation	Mechanically driven dome style visual 2 color indicator
Mounting restriction	None, can be mounted at any angle. Leave room for space to operate manually, and for electrical connection
End Position indication	Micro-switches operated by adjustable internal cams, set slightly ahead of the final motor stop position.
ISO:5211	F03 & F05 (+ F04 which mounts at 45 degrees)
Working Angle	Factory set at $90^\circ \pm 2^\circ$ , maximum angle of rotation $360^\circ$
Female drive	0.551" Star [0.433" octagon option] x 0.67" deep
Ingress protection	IP67, recommend cover provided if exposed to direct rain or sun
Max media temp	$\leq 176^\circ\text{F}$
Ambient temp	$-4^\circ\text{F}$ to $+140^\circ\text{F}$
Non-operating temp	$\leq -40^\circ\text{F}$ to $\geq 176^\circ\text{F}$
Ambient humidity	5-95% RH non-condensing
Explosion proof	No, prohibited. Do not use in hazardous areas
Housing	Plastic (ABS) cover
Weight	With standard ABS housing 1.37lbs



+1 888-689-8258 • info@basiks.us

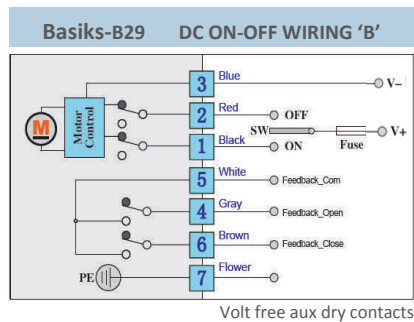
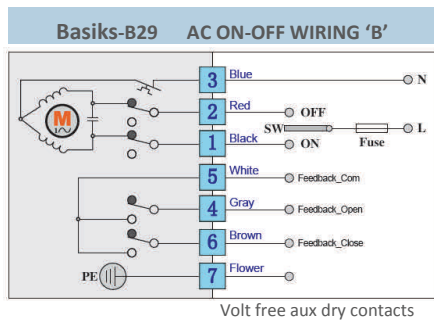
www.basiks.us



PART NUMBERS B29 133in.lbs BASIC ON-OFF HI-SPEED ELECTRIC ACTUATOR

Model	Voltage	Housing	Heater	Control of on-off function & end of travel confirmation
B29-	4 DC 24V	P ABS	H 2W/24kΩ	B SPDT. Switchable +ve/ live. 2 x Volt free end of travel confirmation switches.

WIRING DIAGRAMS B29 133in.lbs BASIC ON-OFF HI-SPEED ELECTRIC ACTUATOR



NOTE: ACTUATORS SHOULD HAVE DEDICATED POWER AND CONTROL