



# B114 BASE FAILSAFE 974in.lbs



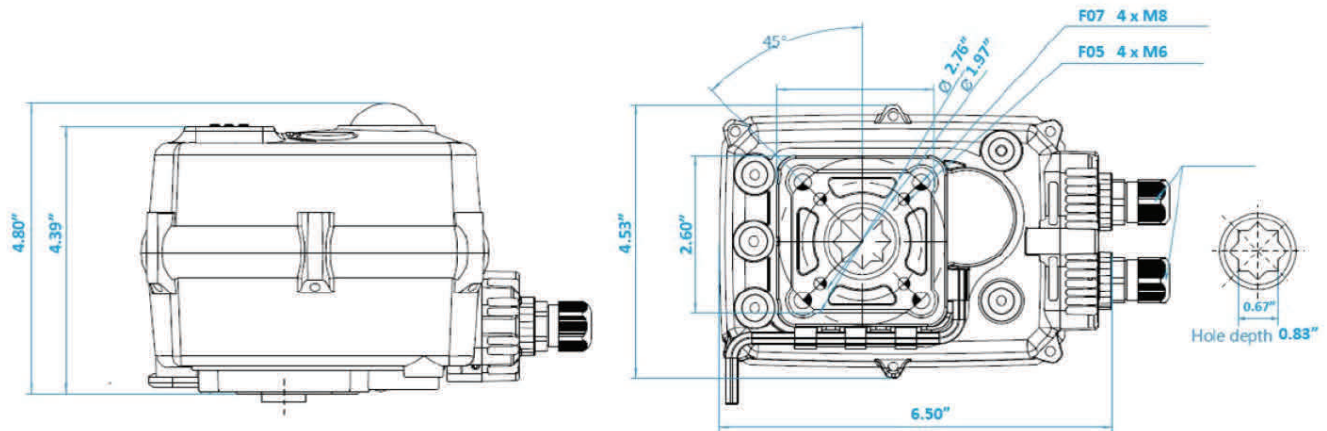
## Model: B114 974in.lbs BASE ON-OFF FAILSAFE ELECTRIC ACTUATOR

	AC	AC/DC	DC
Rated Voltage	AC230V	AC/DC 24V	24VDC
Voltage Range	AC 95-265V/DC100-300V	AC20-28/DC22-32V	DC22-32V
Consumption	15W run, 1.6W hold	15W run, 1.5W hold	15W run, 1.5W hold
Peak Current	.52A @ 5ms 230V	5A @ 5ms 24VDC	5A for 5ms 24VDC
Fuse	2A	5A	5A
Maximum Break Torque in.lbs	974		
Run & Reseat Torque in.lbs	974		
Manual operation	Yes, by hexagonal wrench (supplied in clip) when no power is being applied		
Run time	≈ 10 sec		

### STANDARD FEATURES:

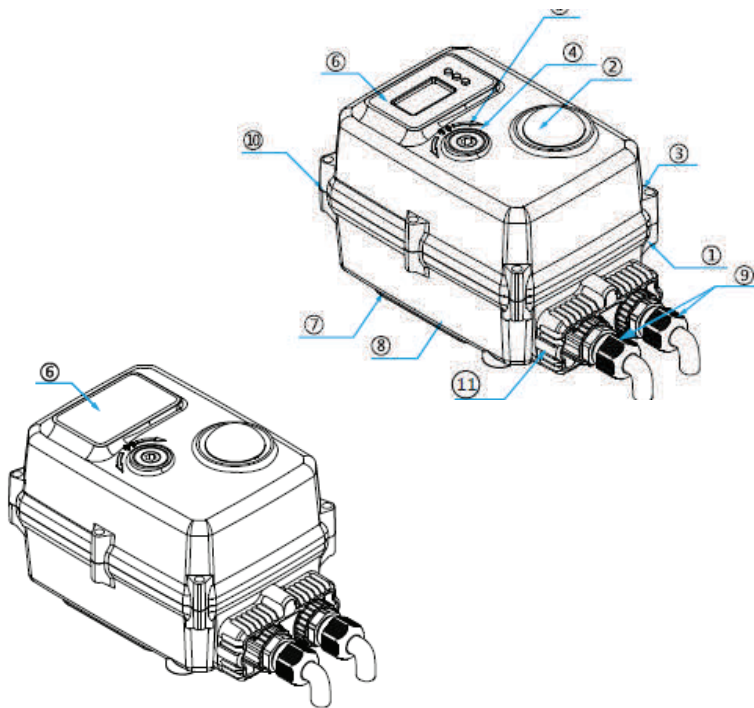
Operating Frequency	AC not continuous, 75% duty cycle but recommend allowing ≥1 min between cycles. DC is continuous.
Position Confirmation	Mechanically driven dome style visual 2 color indicator
Mounting Restriction	None, it can be mounted at any angle. Leave space for manual operation and electrical connection.
End Position Indication	Micro-switches operated by adjustable internal cams , set slightly ahead of the final motor stop position.
ISO:5211	F05 & F07
Working Angle	Factory set at 90° ±2°, maximum angle of rotation 360°
Failsafe Function	Internally fitted industrial battery, charged when power applied. Normally Closed, Open or Stay Put on power loss.
Female Drive	.67" (17mm) octagon x 83" (21mm) deep
Ingress Protection	IP67
Max Media Temperature	176° F
Ambient Temperature	-4° F to 176° F
Non-operating Temperature	-40° F to 176° F
Ambient Humidity	5-95% RH non-condensing
Explosion Proof	Actuator is not explosion proof and should not be placed in hazardous areas.
Housing	Plastic (ABS) cover
Weight	Standard ABS housing 4.85lbs





MATERIALS

B114 974in.lbs BASE ON-OFF FAILSAFE ELECTRIC ACTUATOR



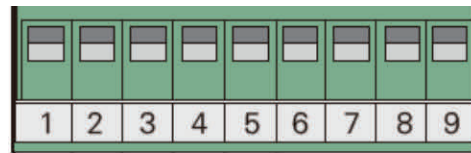
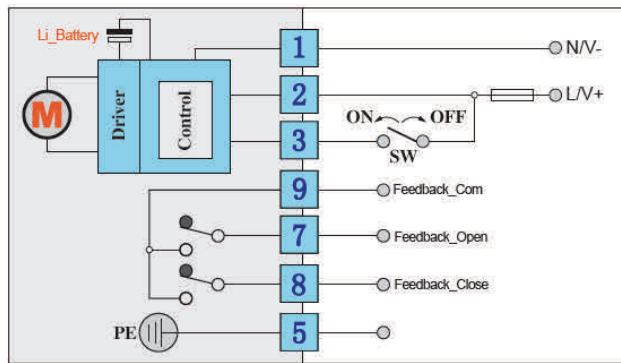
No	PART	MATERIAL
1	Housing	ABS
2	Indicator	Transparent AS
3	Cover screws	304SS
4	Override drive	304SS
5	Seal	NBR
6	Screen	OLED
7	Seal	NBR
8	Connector	Plastic
9	Cover seal	NBR
10	Seal	NBR
11	Label	PVC
12	Allen key	Tool steel
13	Terminal box	Heatproof ABS
14	Output drive	304SS

PART NUMBERS

B114 974in.lbs BASE ON-OFF FAILSAFE ELECTRIC ACTUATOR

Model	Voltage	Housing	Heater	Control of on-off function
B114-	5 95-265V	P ABS	H 5W/24kΩ	B SPDT. Switchable +ve/ live Volt free end of travel confirmation
	6 AC/DC 24			

SPDT Wiring Type 'B'



1	2	3	4	5	6	7	8	9
Blue	Pink	Black	Orange	Earth	Purple	Grey	Brown	White

Volt free aux contacts

**NOTE: ACTUATORS SHOULD HAVE DEDICATED POWER AND CONTROL**