

BASIKS

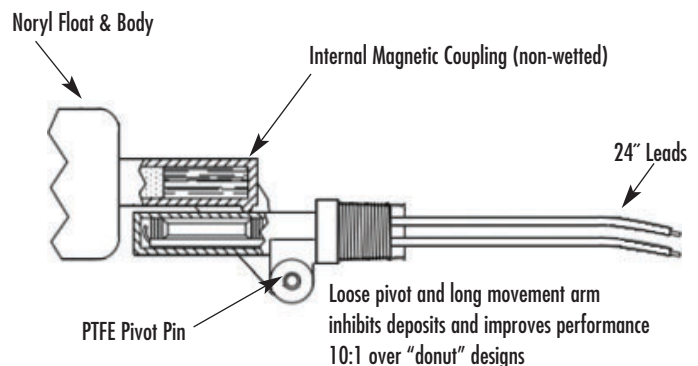
Liquid Level Switch

Features

- Side or Top Mount
- No wetted metals or elastomers
- Superior pivot pin design is 10x less sensitive to deposit build-up than sliding float models
- 24" of twisted pair 22 gauge output wire
- SPST reed switch for 120/240 VAC 50 Watt power
- Optional DC dry circuit for computer/PLC interface
- NEMA 4 design



Design




BASIKS
888-689-8258

www.basiks.us
info@basiks.us

Specifications

Working Fluid Specific Gravity:

Top Mount	0.8
Side Mount	0.7

Liquid Level Switch:

Nominal ON/OFF Differential
 ≈ 3/8" (0.375")

Pressure/Temperature

Maximum Pressure	150 PSI/10.3 Bar
Max. Temperature Noryl PPO	180°F/82°C

Materials of Construction

Wetted materials are Noryl PPO and PTFE. Non-wetted materials include magnetic coupling and reed switch, which are fully encapsulated in body material.

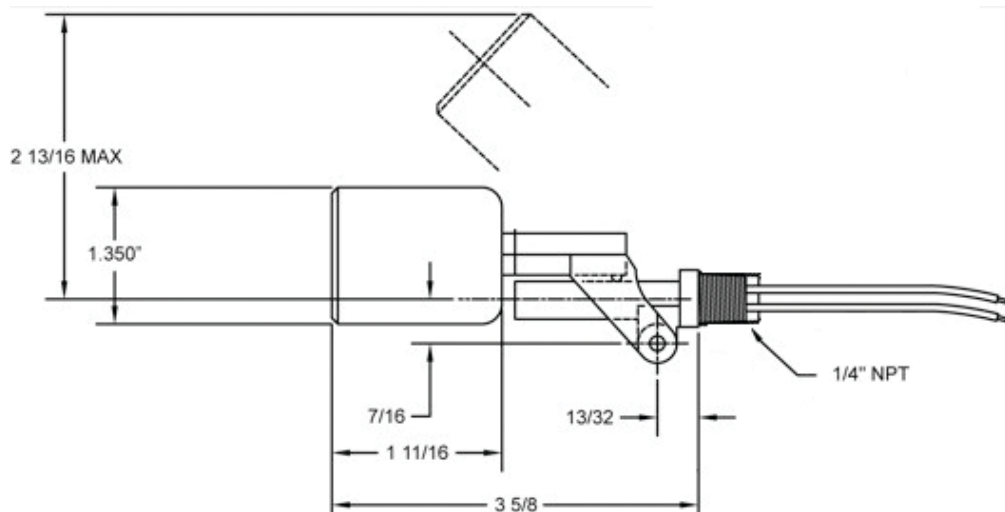
Electrical Switch Characteristics – STANDARD SPNO/SPNC

AC voltage (max. switching):	300VAC
DC voltage (max. switching):	350VDC
Current (max. switching):	0.5amp
Current (max. carrying):	2.5amp
Contact Rating (VA, W):	50
SPDT, 3 Watt, 100VAC/VDC:	optional

Switch contacts have been tested with inductive relay and 30 amp motor contactor drive coils at 120 VAC and 240 VAC to 500,000 operations without failure. Maximum allowable volt amp (VA) rating of relay operating coil — 8.0 VA or less.

NOTE: Series LLS employs magnetic coupling between float arm and switch body. Magnetic particles can accumulate on and around magnetic housing which may affect proper operation. Please conduct appropriate fluid magnetic particle evaluation and operational tests prior to and during installation and use.

Dimensions



Ordering Information

Pipe Connection	Body Material	Pin Material	Switch Operation	Part #
1/4"	Noryl PPO	PTFE	Normally Closed	LLS025NC-T-PO
1/4"	Noryl PPO	PTFE	Normally Open	LLS025NO-T-PO



BASIKS

888-689-8258

www.basiks.us info@basiks.us

A Value Line by Plast-O-Matic Valves, Inc. • 1384 Pompton Ave., Cedar Grove, NJ 07009 USA

06/18