



# B60 BASIC ON-OFF 531in.lbs



## Model: B60 531in.lbs BASIC ON-OFF ELECTRIC ACTUATOR

	AC	AC/DC	AC	
Rated Voltage	AC230V	AC/DC 24V	24VDC	
Voltage Range	AC 95-265V/DC100-300V	AC20-28/DC22-32V	DC22-32V	
Consumption	15W run, 1.6W hold	15W run, 1.5W hold	15W run, 1.5W hold	
Peak Current	0.26A @ 5ms 230V	2.5A @ 5ms 24VDC	2.5A for 5ms 24VDC	
Fuse	2A	5A	5A	
Maximum Break Torque in.lbs	531			
Run & Reseat Torque in.lbs	531			
Manual Operation	Yes, by hexagonal wrench (supplied in clip) when no power is being applied			
Run Time	≈ 10 sec		≈ 10 sec	

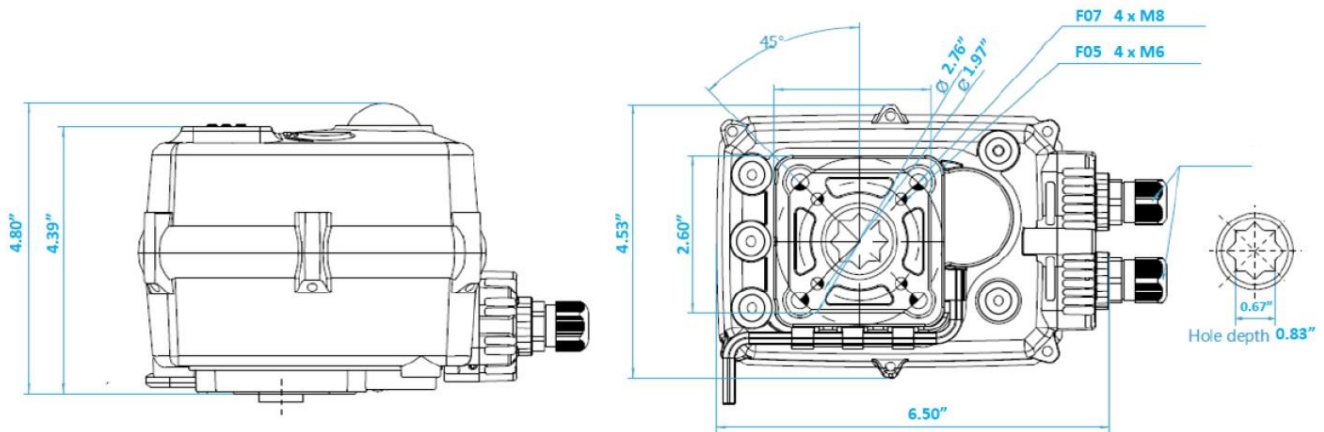
### STANDARD FEATURES:

Operating Frequency	AC not continuous, 75% duty cycle but recommend allowing $\geq 1$ min between cycles. DC is continuous.
Position Confirmation	Mechanically driven dome style visual 2 color indicator
Mounting Restriction	None, it can be mounted at any angle. Leave space for manual operation and electrical connection.
End Position Indication	Micro-switches operated by adjustable internal cams, set slightly ahead of the final motor stop position.
ISO:5211	F05 & F07
Working Angle	Factory set at $90^{\circ} \pm 2^{\circ}$ , maximum angle of rotation $360^{\circ}$
Female Drive	.67" (17mm) octagon x .83" (21mm) deep
Ingress Protection	IP67
Max Media Temperature	176° F
Ambient Temperature	-4° F to 176° F
Non-operating Temperature	-40° F to 176° F
Ambient Humidity	5-95% RH non-condensing
Explosion Proof	Actuator is not explosion proof and should not be placed in hazardous areas.
Housing	Plastic (ABS) cover
Weight	Standard ABS housing 4.85lbs



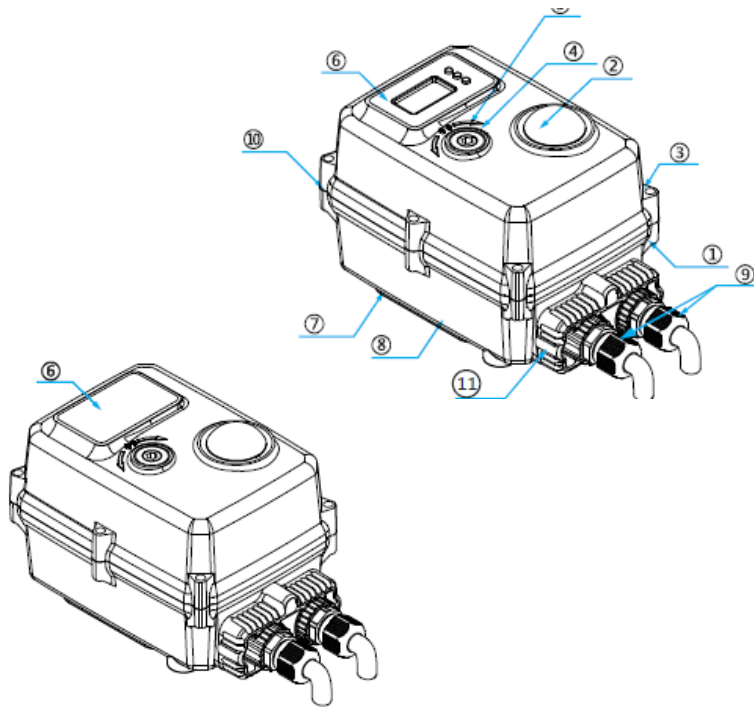
**DIMENSIONS (inch)**

**B60 531in.lbs BASIC ON-OFF ELECTRIC ACTUATOR**



**MATERIALS**

**B60 531in.lbs BASIC ON-OFF ELECTRIC ACTUATOR**



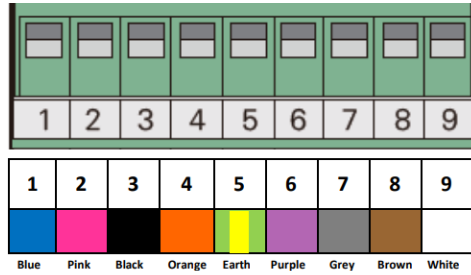
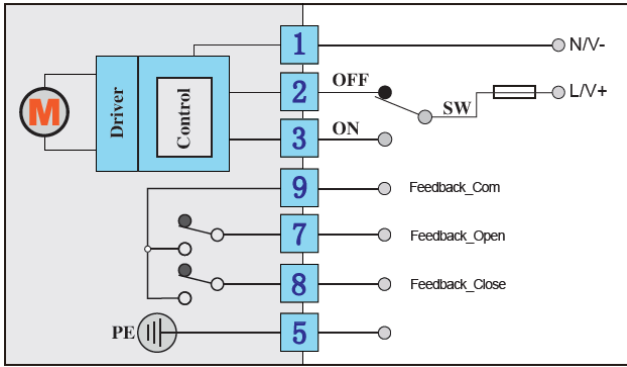
No	PART	MATERIAL
1	Housing	ABS
2	Indicator	Transparent AS
3	Cover screws	304SS
4	Override drive	304SS
5	Seal	NBR
6	Screen	OLED
7	Seal	NBR
8	Connector	Plastic
9	Cover seal	NBR
10	Seal	NBR
11	Label	PVC
12	Allen key	Tool steel
13	Terminal box	Heatproof ABS
14	Output Drive	304SS

**PART NUMBERS**

**B60 531in.lbs BASIC ON-OFF ELECTRIC ACTUATOR**

Model	Voltage	Housing	Heater	Control of on-off function
B60-	1 AC 230V	P ABS Plastic	H 5W/24kΩ	B SPDT. Switchable +ve/ live Volt free end of travel confirmation
	2 AC 110V			
	3 AC 24V			
	4 DC 24V			

SPDT Wiring Type 'B'



Volt free aux contacts

**NOTE: ACTUATORS SHOULD HAVE DEDICATED POWER AND CONTROL**