



B20 BASIC ON-OFF 177 in.lbs



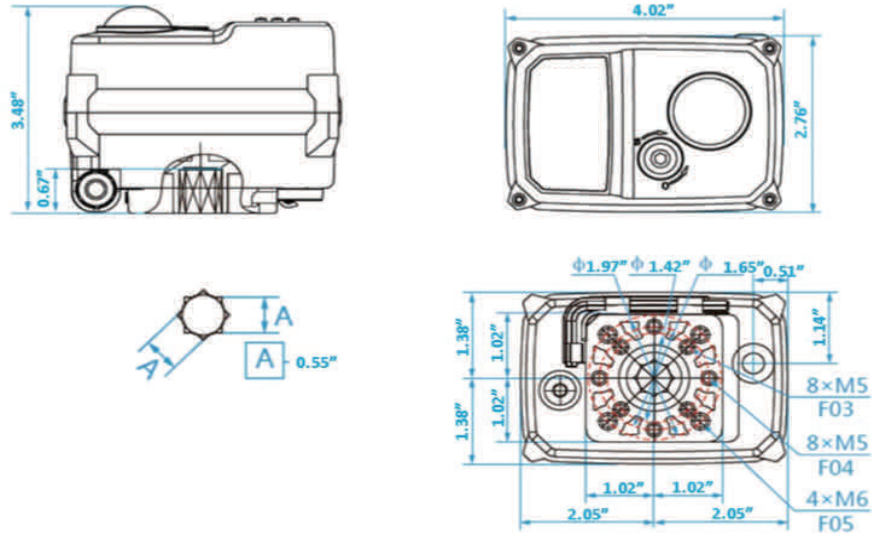
Model: B20 177in.lbs BASIC ON-OFF ELECTRIC ACTUATOR

	AC 1ph 50/60Hz			DC
Rated Voltage	AC230V	AC110V	AC24V	DC24V
Voltage Range	AC 190-250V	AC90-130V	AC22-28V	DC22-28V
Consumption	13.2W run, 0W hold	15W run, 0W hold	10.8W run, 0W hold	9.6W run, 0.25W hold
Peak current	60mA for 5ms	135mA for 5ms	450mA for 5ms	500mA for 5ms
Fuse	1A	1A	2A	2A
Maximum Break Torque in.lbs	177			177
Run & Reseat Torque in.lbs	177			177
Manual operation	Yes, by hexagonal wrench (supplied in clip) when no power is being applied			
Run time	~ 15 sec		~ 10 sec	

STANDARD FEATURES:

Operating Frequency	Not continuous, allow ≥ 1 minute between cycles
Position Confirmation	Mechanically driven dome style visual 2 color indicator
Mounting Restriction	None, it can be mounted at any angle. Leave space for manual operation and electrical connection.
End Position Indication	Micro-switches operated by adjustable internal cams , set slightly ahead of the final motor stop position.
ISO:5211	F03 & F05 (+ F04 which mounts at 45 degrees)
Working Angle	Factory set at $90^{\circ} \pm 2^{\circ}$, maximum angle of rotation 360°
Female Drive	0.55" (14mm) octagon x 0.67" (17mm) deep
Ingress Protection	IP67, cover recommended if exposed to direct rain or sun.
Max Media Temperature	$\leq 176^{\circ}\text{F}$
Ambient Temperature	-4°F to $+140^{\circ}\text{F}$
Non-operating Temperature	$\leq -40^{\circ}\text{F}$ to $\geq 176^{\circ}\text{F}$
Ambient Humidity	5-95% RH non-condensing
Explosion Proof	Actuator is not explosion proof and should not be placed in hazardous areas.
Housing	Plastic (ABS) cover
Weight	Standard ABS housing 1.37lbs
Options	Available failsafe using capacitor. See Model Basiks-B24 for details





PART NUMBERS

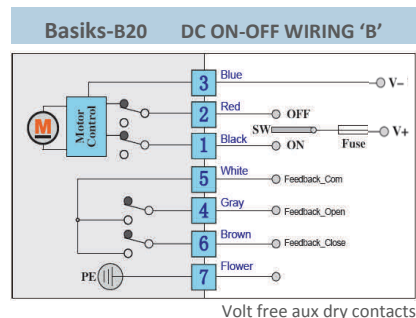
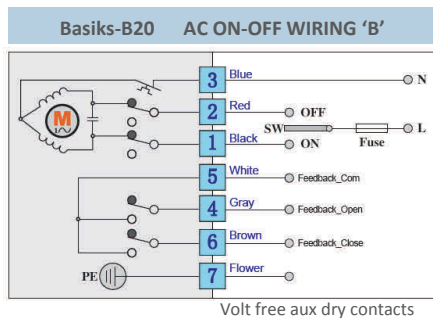
B20 177in.lbs BASIC ON-OFF ELECTRIC ACTUATOR

Model	Voltage	Housing	Heater	Control of on-off function & end of travel confirmation
B20-	1 AC 230V	P Plastic (ABS)	H 5W/24kΩ	B SPDT. Switchable +ve/ live. 2 x Volt free end of travel confirmation switches.
	2 AC 110V			
	3 AC 24V			
	4 DC 24V			

NOTE: US STANDARD STOCK IS WIRING 'B', ANY OTHERS ARE FACTORY OPTIONS. DETAILS AVAILABLE ON REQUEST.

WIRING DIAGRAMS

B20 177in.lbs BASIC ON-OFF ELECTRIC ACTUATOR



NOTE: ACTUATORS SHOULD HAVE DEDICATED POWER AND CONTROL